



More information on the website
radwag.com/en/info,w1,ODT

DJ-04 Antistatic Ionizer



DJ-04 Antistatic Ionizer

The drawings, photos and graphics used are for illustrative purposes only.

Datasheet

	DJ-04 Antistatic Ionizer
Electrical parameters	
Power supply	100 – 240 V AC 50/60 Hz
Environmental conditions	
Operating temperature	0 ÷ +40 °C
Physical parameters	
Frame dimensions	268×110×295 mm
Packaging dimensions	375×375×130 mm
Net weight	1,3 kg
Gross weight	2,5 kg

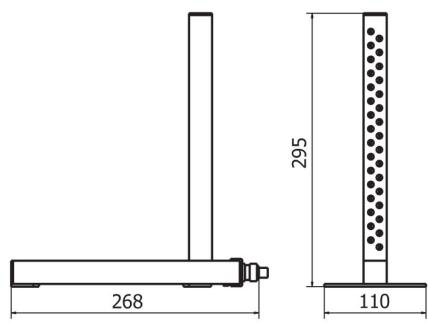
Compatible with

AS X2 PLUS Analytical Balance
 AS R2 PLUS Analytical Balance

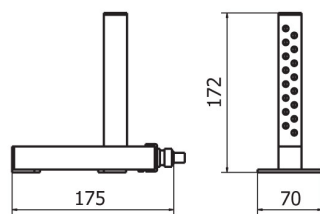
AS X2 PLUS Analytical Balances
 AS R1 PLUS Analytical Balances

Device dimensions

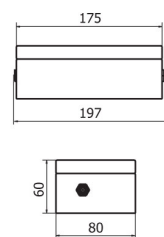
DJ-04 Antistatic Ionizer



DJ-04



DJ-05



power supply
