

CLBT

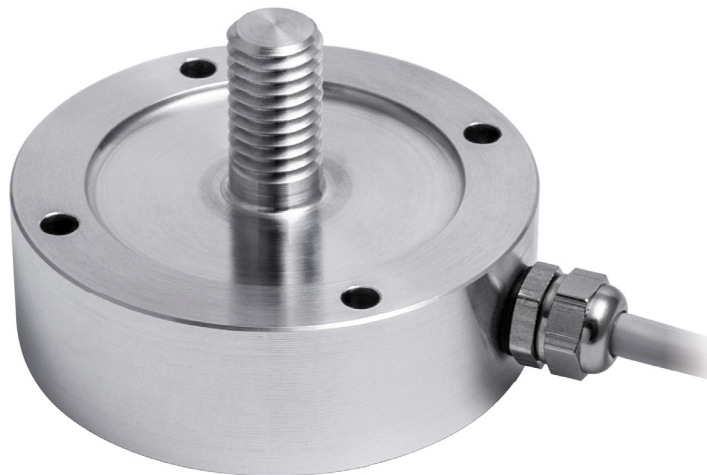
COMPRESSION / TENSION LOAD CELLS

LAUMAS®



Manufactured according to OIML R60 standards

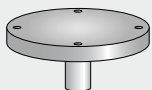
Capacity from 50 kg to 500 kg



- 50-100 kg: ALUMINIUM ALLOY (AVIONAL)
- 500 kg: 17-4 PH STAINLESS STEEL
- COMBINED ERROR $\leq \pm 0.05\%$
- PROTECTION CLASS IP65

CAPACITY	kg	NET WEIGHT (kg)	CODE
	50	0,15	CLBT50
	100	0,15	CLBT100
	500	0,25	CLBT500

COMPLEMENTARY ACCESSORIES

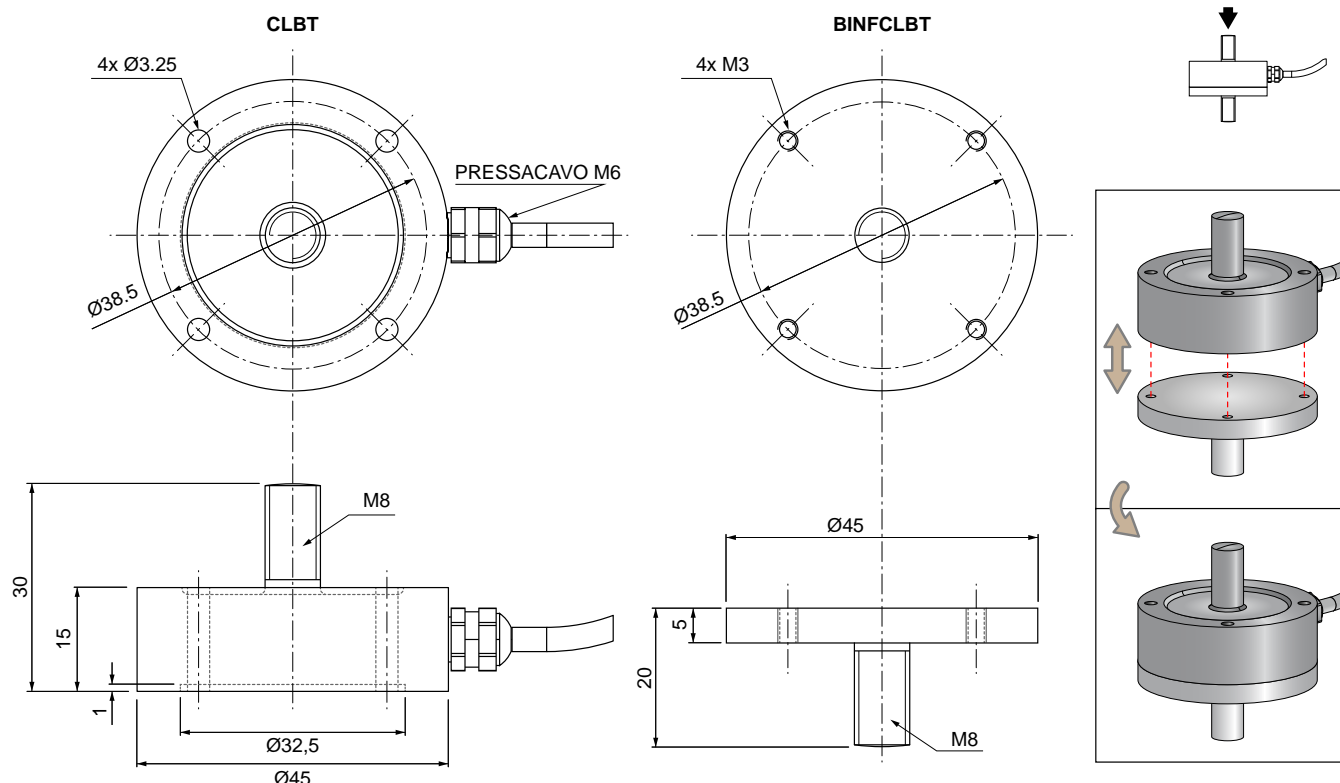
	DESCRIPTION	CODE
	Lower base	BINFCLBT

CERTIFICATIONS

EAC Complies with the Eurasian Customs Union standards

Rev. 0.0

DIMENSIONS (mm)



TECHNICAL FEATURES

Material	Aluminium alloy (Avional)	17-4 PH stainless steel	
Nominal load (E max)	50 - 100 kg	500 kg	
Combined error	≤ ±0.05%		
Protection class	IP65		
Rated output	2 mV/V ±10%	Input resistance	700 Ω ±20
Temperature effect on zero	0.005% °C	Output resistance	700 Ω ±5
Temperature effect on span	0.005% °C	Zero balance	±1%
Compensated temperature range	-10 °C / +50 °C	Insulation resistance	>5000 MΩ
Operating temperature range	-20 °C / +70 °C	Safe overload (% of full scale)	150%
Creep at nominal load in 20 minutes	0.03%	Ultimate overload (% of full scale)	300%
Max supply voltage without damage	5 ÷ 15 V	Deflection at nominal load	0.3 mm

ELECTRICAL CONNECTIONS

Cable length	5 m
Cable diameter	5 mm
Cores	6 x 0.088 mm ²

