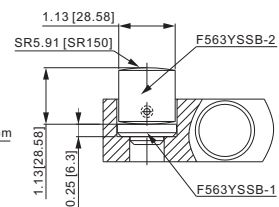
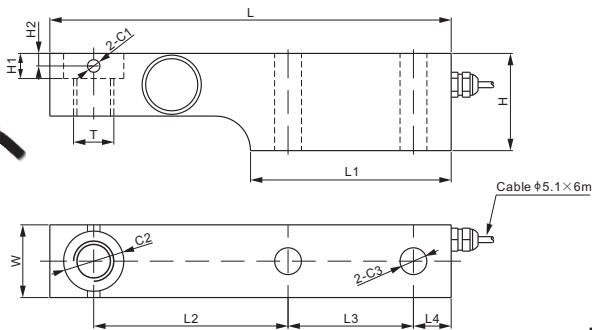


563YSSB

Stainless Steel

SINGLE ENDED BEAMS



Hardware to be ordered separately.

Material of both F563YSSB-1 & F563YSSB-2 is 2Cr13 with electropolishing

DIMENSIONS

| RATED CAPACITY | C1 | C2 | C3 | H | H1 | H2 | L | L1 | L2 | L3 | L4 | W | T |
|---|------|------|------|------|------|------|-------|-------|-------|------|------|------|---------------|
| Klb/inches | | | | | | | | | | | | | |
| 2.5-5 | 0.25 | 1.20 | 0.54 | 1.94 | 0.75 | 0.25 | 8.00 | 4.00 | 3.87 | 2.50 | 0.75 | 1.45 | 3/4-16 UNF-2B |
| 10-20 | 0.25 | 1.20 | 0.78 | 2.46 | 0.75 | 0.25 | 9.00 | 4.00 | 5.25 | 2.00 | 0.75 | 1.94 | 0.69 |
| kg/mm (conversion of above dimensions) | | | | | | | | | | | | | |
| 1,134.0-2,268.0 | 6.35 | 30.5 | 13.6 | 49.2 | 19.0 | 6.35 | 203.2 | 101.6 | 98.4 | 63.5 | 19.1 | 36.8 | 3/4-16 UNF-2B |
| 4,535.9-9,071.8 | 6.35 | 30.5 | 19.9 | 62.5 | 19.0 | 6.35 | 228.6 | 101.6 | 133.4 | 50.8 | 19.1 | 49.3 | 17.45 |

SPECIFICATIONS

| | | | |
|-------------------|------------------------|-------------------------------|-------------------------------|
| Full Scale Output | 2.0 ± 0.25% mV/V | Recommended Excitation | 10V (15V Maximum) |
| Zero Balance | ± 0.02 mV/V | Insulation Resistance | >2 [50V DC] GΩ |
| Non-linearity | < ± 0.023% | Compensated Temperature Range | -10°C to 50°C / 14°F to 122°F |
| Repeatability | < ± 0.023% | Safe Overload | 150% of full scale |
| Hysteresis Error | < ± 0.023% | Breaking Overload | 300% of full scale |
| Creep in 30 min. | < ± 0.030% | Seal Type / IP Rating | Welded Seal / IP68 |
| Input Resistance | 350 Ω ± 7 | Cable Color Code | Exc+ Red Exc- Black |
| Output Resistance | 350 Ω ± 3 | | Sig+ Green Sig- White |
| Element Material | 17-4PH Stainless Steel | | Shield Bare |

PART NUMBER

| Rated Capacity | Part No. | Shipping Weight (kg) Approx. |
|----------------|---------------------|------------------------------|
| 2.5Klb..... | 563YSSB-2.5Klb..... | 2.3 |
| 5Klb..... | 563YSSB-5Klb..... | 2.4 |
| 10Klb..... | 563YSSB-10Klb..... | 4.0 |
| 20Klb..... | 563YSSB-20Klb..... | 4.8 |

Hardware

| Hardware | Load Cell Capacity | Part No. | Shipping Weight (kg) |
|-----------------|--------------------|-----------------|----------------------|
| Insert..... | (2.5-20)Klb..... | F563YSSB-1..... | - |
| Rocker Pin..... | (2.5-20)Klb..... | F563YSSB-2..... | - |

INTERCHANGEABLE PRODUCTS

| Manufacturer | Model |
|------------------|----------|
| Cardinal..... | SB2500S |
| Cardinal..... | SB5000S |
| Cardinal..... | SB10000S |
| Cardinal..... | SB20000S |
| Coti Global..... | CG-SB250 |
| Rice Lake..... | RLSB250* |

* Rice Lake RLSB250 is through hole design.



10K-20Klb: OIML MAA C6, Y=85 000