



CPJ / CPJ2S - ANALOG SIGNAL CONDITIONER

±10 V/0-10 V / 4-20 mA

FEATURES

- The CPJ is able to run up to 4 strain gauge load cells (350Ω)
- 4 or 6 wire load cell
- Voltage output (±10 Vdc or 0-10 Vdc)
- current output (4-20 mA)
- Shunt calibration signal
- 2 set points on relays optional version CPJ2S



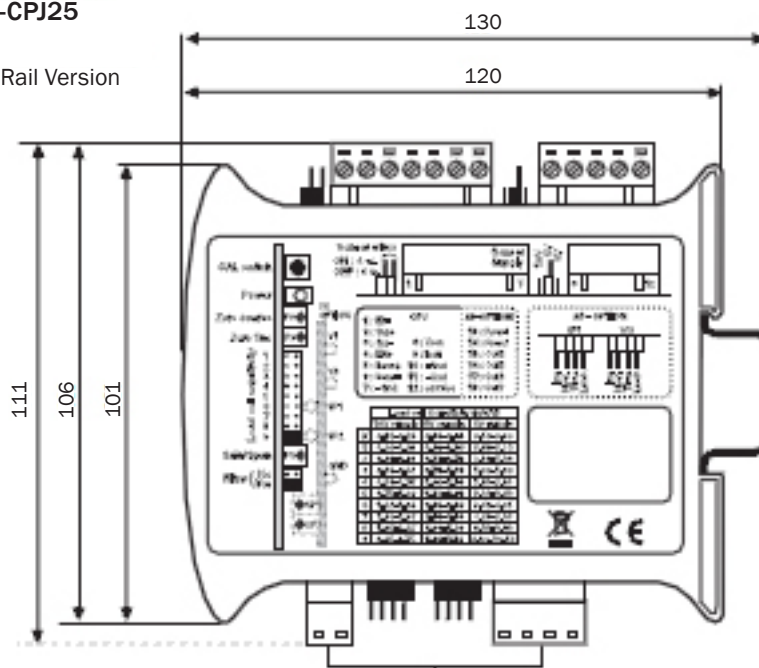
Board Version



IP65 Housing Version

CPJ-CPJ2S

Din Rail Version

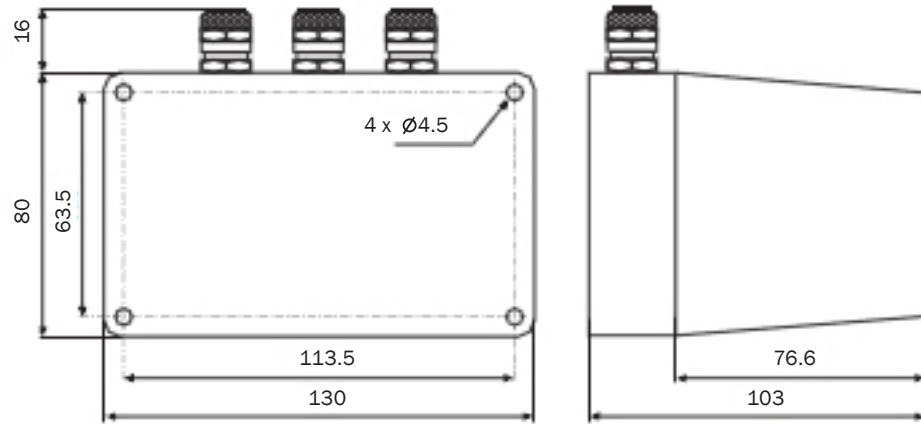


ALL DIMENSIONS IN mm

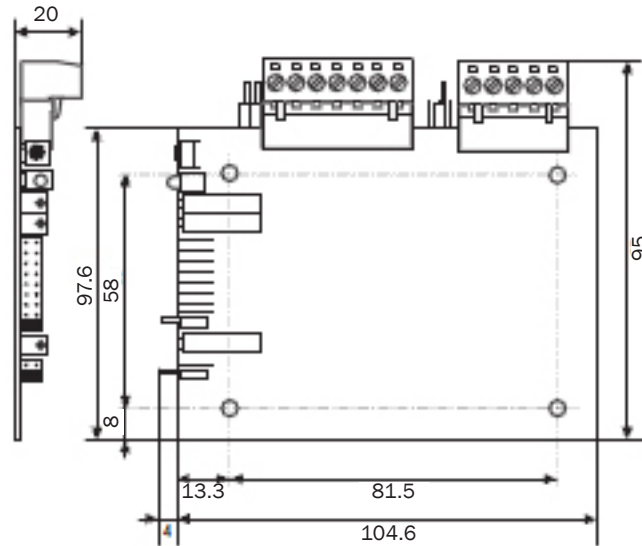
ANALOG SIGNAL CONDITIONER

**P65 HOUSING
 VERSION**

CPJ2S VERSION

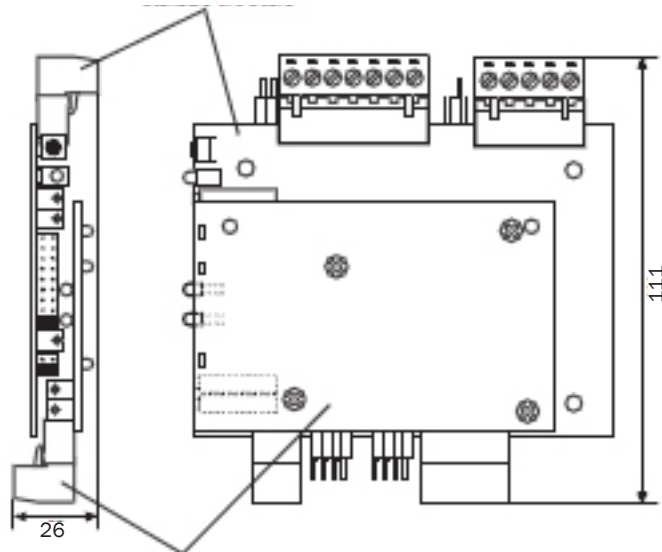


**CPJ BOARD
 VERSION**



**CPJ2S BOARD
 VERSION**

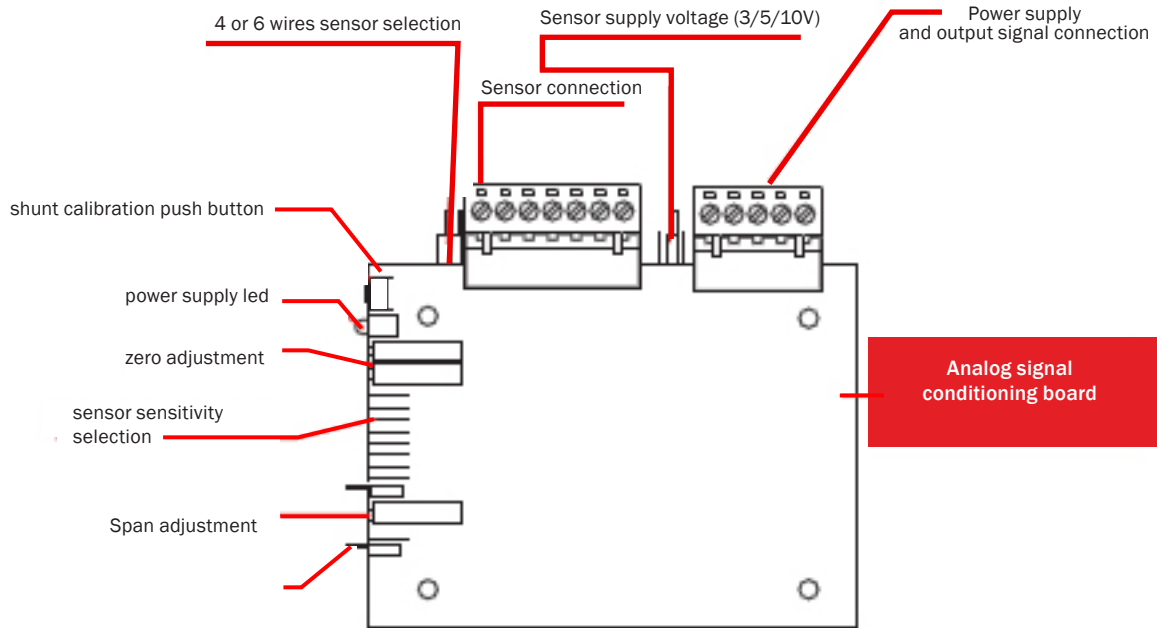
Standard CPJ board



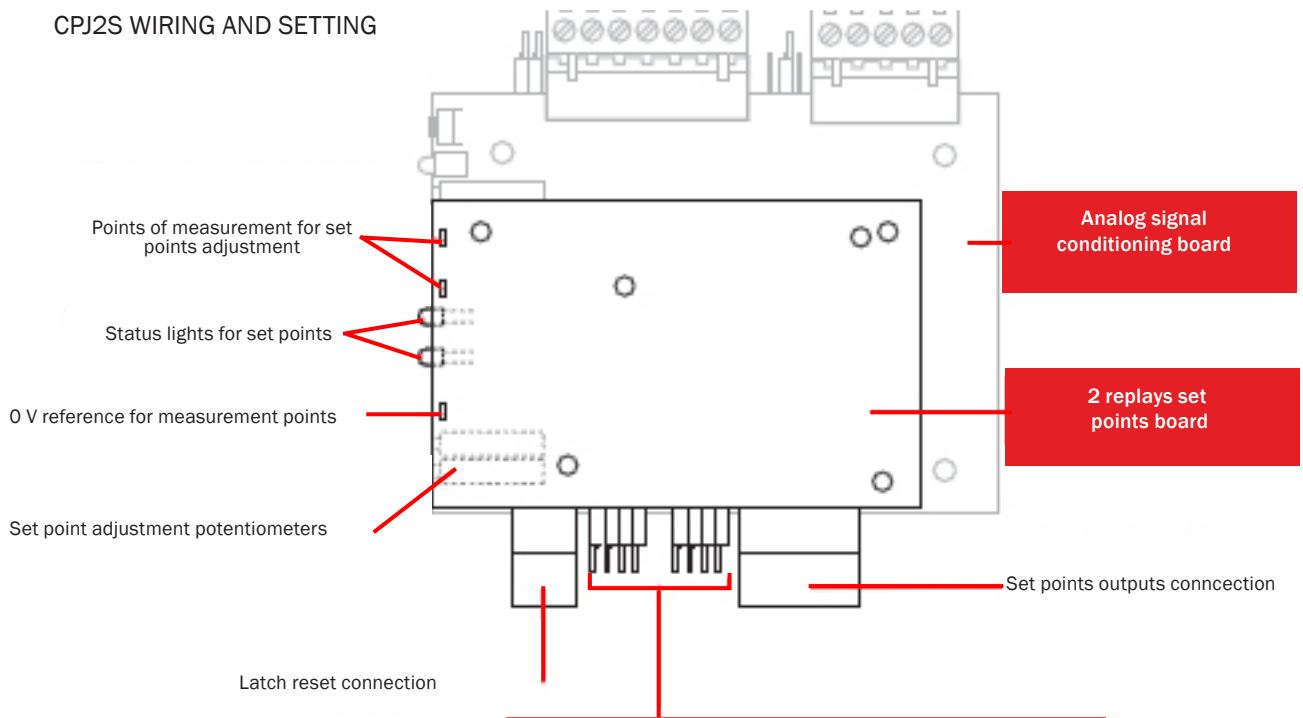
2 set points optional board

ALL DIMENSIONS IN mm

ANALOG SIGNAL CONDITIONER
 CPJ WIRING AND SETTING



CPJ2S WIRING AND SETTING



Set points setting:

- Relay Normally Open/Close
- Hysteresis 0.2/ f.f %
- Relay holding time 5 /600 ms
- Latch fonction Y/N

SPECIFICATIONS

CPJ SPECIFICATIONS

Power supply:		24 ±	Vdc
Accuracy Class:		0.05	%
Temperature effect on zero:		≤ 0.035	%F.S./°C
Temperature effect on span:		≤ 0.02	%/°C
Operating temperature range:		0...+70	°C
Load cell input voltage (engaged with jumper):		3,5,10	Vdc
VMin. load cell impedance:	excit. 3/5 V	80	Ω
	excit. 10 V	160	Ω
Span adjustment:		0.15 - 12	mV/V
Max supply current CPJ/CPJ25:		120 / 170	mA
Voltage output:		± 10, 0-10	V
Current output:		4-20	mA
Load impedance for voltage output:		≥ 2000	Ω
Load impedance for current output:		≤ 500	Ω
Capacitive load on the output:		≤ 1	nF
Filtering (engaged with jumper) low pass (-3dB):		10	Hz
Bandwidth:		≤ 20	kHz

CPJS2 SET POINTS SPECIFICATIONS

Number of set points:		2	
Adjustment:		2	potentionmeters
Selectable fonctionning direction:		Yes	
Hysteresis:		1.1/0.2	% F.S.*
Holding time:		5/600	ms
Latch function:		Yes	
Response time:		7	ms
RELAY:			
Technology:		Photorelays	
On-state current max. at 40°C:		A	
Off-state voltage:		55	V
On-state resistance:		2	Ω
Isolation voltage:		2500	Vrms

*F.S.: Full Scale

OPTIONS

Input for potentiometer:			
Customized filtering:		0.5 - 450	Hz
Power supply		12 Vdc**	

**Output voltage limited to ± 5, 0-5V