

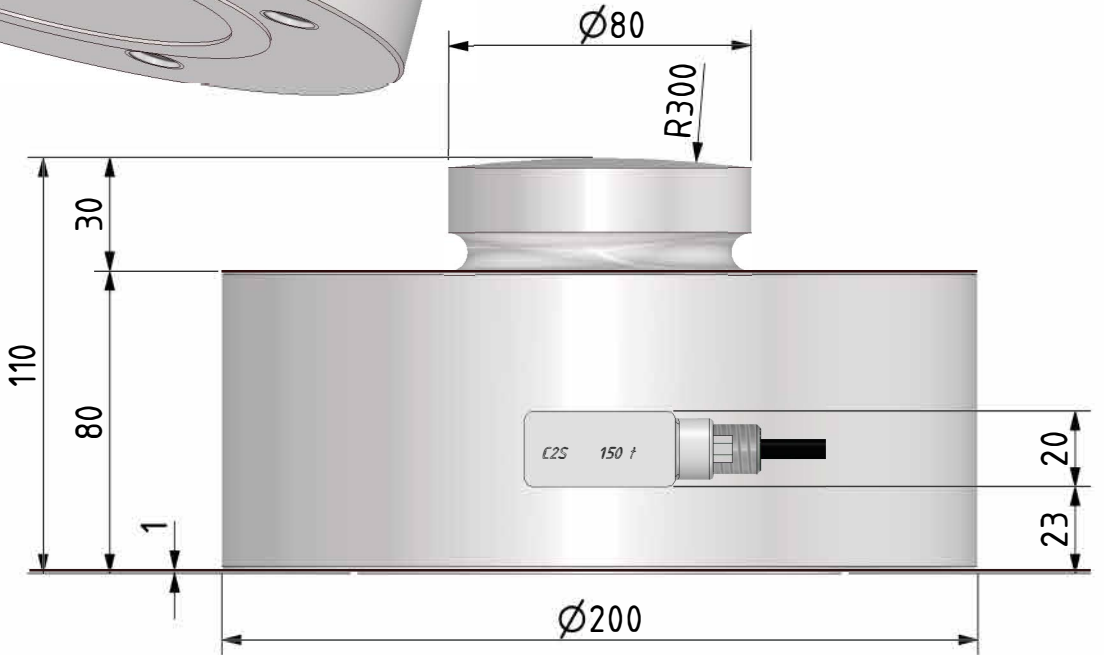
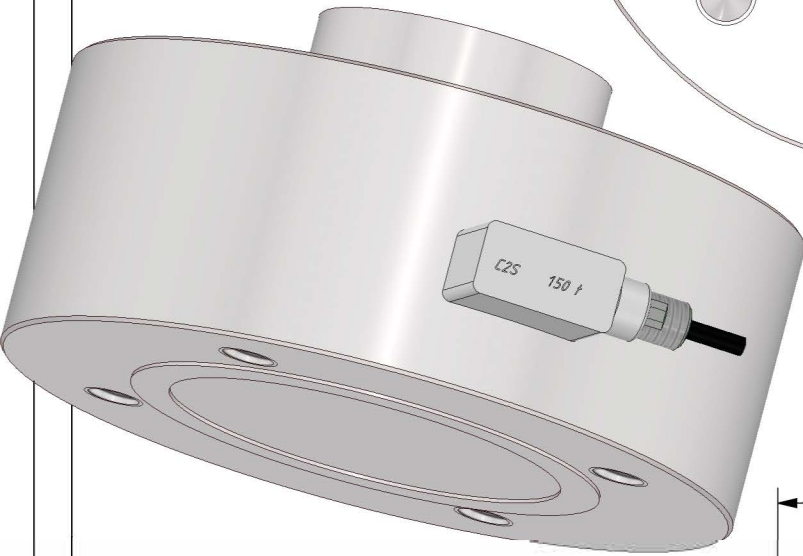
C2S
Ø200

4 holes M16 at 90° depth 20

40 10

Ø107

Ø128



110
80
30
1

Ø80

R300

C2S 150 f

23
20

Ø200