

CFSI-IP68



APPLICATION:

Multi-cell scales

CAPACITY RANGE:

50kg - 75kg - 100kg - 150kg 300kg
500kg

MATERIAL:

Stainless Steel

ENVIRONMENTAL PROTECTION:

IP68

APPROVALS:

CE 3000 Div

50 kg - 75 kg : TC6178

Other Capacities: TC6176

OIML 3000 Div - R60/2000-NL 1-03.01

CHARACTERISTICS

Construction using stainless steel.
The laser soldered closing protects from the typical environment in food and chemical industry.
Mounting compatibility.

APPLICATIONS

The CFSI-IP68 model is manufactured to maintain its performance capabilities in the environmental conditions existing in industries, where tasks and cleaning demand a good environmental protection.

If the required capacities are over 500 kg, select the CSCI-IP68 model which is mechanically compatible and reaches the 1500 kg capacity.

OPTIONS

Length of the cable is optional.

Hostile environmental cable.

ATEX option

EC-Type examination certificate

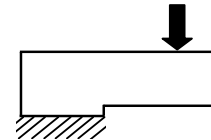
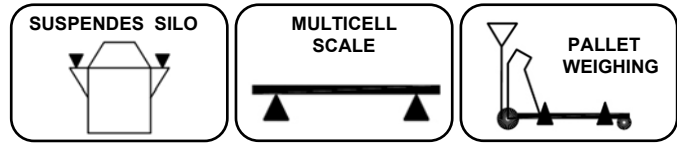
CEC 11 ATEX 040 X according directive 94/9/EC

II 1G EEExia IIC T6 (Ta2-0÷+40°C)
TX (Ta-20÷+65°C)

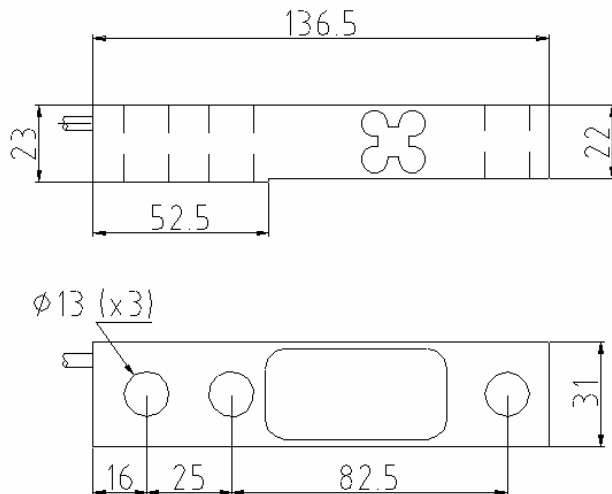
II 1D tD A20 TX°C (Ta-20÷+40°C)
TX°C (Ta-20÷+65°C)

For more information look up the EC-type examination certificate, and documentation.

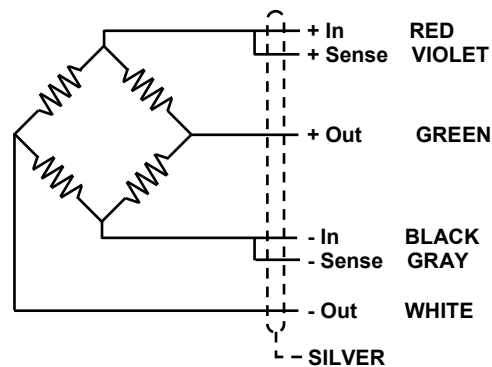
Consult for special requirements.



TEFLÓN® protects all the internal cables



Dimensions in mm



GENERAL TECHNICAL CHARACTERISTICS FOR $g= 9,8031 \text{ m/ s}^2$

OIML Class	C3	UNITS
Divisions n_{LC}	3000	
Minimum Dead load E_{min}	0	kg
$Z= E_{max} / 2DR$	3000	
$Y= E_{max} / V_{min}$	10000	
Rated Capacity E_{max}	50 - 75 - 100 - 150 - 300 - 500	kg
Rated Sensitivity C	$2 \pm 0,1 \%$	mV/V
Rated Input Voltage	10	V dc
Input Voltage Range	5...15	V ac/dc
Input Resistance R_{LC}	350 ± 3	Ω
Output Resistance	350 ± 3	Ω
Zero Balance	± 2	% Emax
Insulation Resistance at 50 V DC	> 5000	M Ω
Service Overload	> 150	% Emax
Overload Limit	> 300	% Emax
Temperature Range : Compensated	- 10 ... 40	$^{\circ}\text{C}$
: Operating	- 30 ... 85	$^{\circ}\text{C}$
: Storage	- 30 ... 90	$^{\circ}\text{C}$
Max. Nonlinearity	0,02	% Emax
Max. Hysteresis	0,02	% Emax
Max. No repeatability	0,01	% Emax
M Max. Creep in 4 hours	0,03	% Emax
Max. Zero Recovery Test in 1/2 hour	0,011	% Emax
Max Temperature effect : On Sensitivity	0,0013	% Emax / $^{\circ}\text{C}$
: On Zero	0,0014	% Emax / $^{\circ}\text{C}$
Weight	800	g
Cable Length	5	m
Environmental Protection	IP68 - DIN 40050 (100h 1m)	



Ref: 491203



Ref: 491205