

## SPG\_C6

### SPG SERIES SINGLE POINT LOAD CELLS, C6 CLASS



Load cells for off center loads, suitable for example to build CE-M approved scales with a single load cell; maximum platform dimensions of 450x450 mm.

---

**CAPACITIES (kg):** 7, 18, 36.

---

**OIML R60.** C6 precision class.

---

**Aluminium** alloy. **IP67** protection.

---

Working in cooperation with:

**Vetek AB**

Hantverkarsvägen 15 - 76493 Vaddö - Sweden  
Tel +46176208920 [info@vetek.com](mailto:info@vetek.com)

The best solution  
for advanced industrial  
applications

## MAIN FEATURES

- C6 PRECISION CLASS
- OFF CENTER LOAD COMPENSATED
- ALUMINIUM ALLOY CONSTRUCTION
- IP67 PROTECTION
- MAX. CAPACITIES FROM 7 TO 36 kg
- FOR PLATFORMS WITH DIMENSIONS UP TO 450 X 450 mm
- SHIELDED CONNECTION CABLE
- OIML CERTIFICATE AVAILABLE UPON REQUEST
- TEST CERTIFICATE AVAILABLE UPON REQUEST

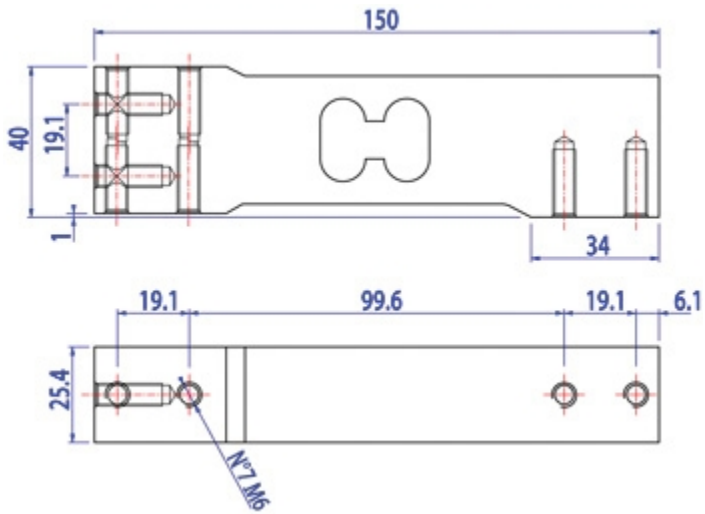
## TECHNICAL FEATURES

- Minimum load cell verification interval:  $V_{min} = E_{Max} / 20.000$
- Maximum number of verification intervals:  $n_{LC} = 6000$
- Sensitivity:  $2mV/V \pm 10\%$
- Combined error: 0,03% of Full Span (F.S.)
- Temperature effect on zero: 0,01% FS/10K
- Temperature effect on Full Span: 0,001% FS/10K
- Compensated Temperature Range:  $-10^{\circ}C/+40^{\circ}C$
- Operating Temperature Range:  $-10^{\circ}C/+50^{\circ}C$
- Creep at nominal load in 30 minutes: 0,01% F.S.
- Maximum excitation voltage without damage: 15 Vdc
- Input Resistance: 300..500 Ohm
- Output Resistance: 300..500 Ohm
- Zero Balance:  $0 \pm 0,1\%$  F.S.
- Insulation Resistance:  $>2000$  MOhm
- Mechanical limit load in service: 150% F.S.
- Destructive load: 300% F.S.
- Deflection at nominal load  $<0,3mm$
- 6-wire shielded cable, 3m long, 4,7mm diameter

## ATEX Version

- The CCATEX certificate makes the load cell suitable for use in hazardous areas with protection methods according to:  
ATEX II 1G Ex ia IIC T6 (Ta  $-20^{\circ}C/+40^{\circ}C$ ) TX (Ta  $-20^{\circ}C/+65^{\circ}C$ ) Ga  
ATEX II 1D Ex ta IIIC TX $^{\circ}C$  (Ta  $-20^{\circ}C/+40^{\circ}C$ ) TX $^{\circ}C$  (Ta  $-20^{\circ}C/+65^{\circ}C$ ) Da IP65.  
The certificate includes the manual and the ATEX CE conformity declaration (available in EN, DE, FR, and IT).
- **IMPORTANT:** the certificate refers to the single load cell. For systems with more load cells, it is necessary to order one certificate for each load cell.

## DETAIL 1



Dimensions (mm)

Wiring Code	
Colour	Function
YELLOW	SHIELD
WHITE	OUTPUT +
GREEN	SENSE +
BLUE	INPUT +
RED	OUTPUT -
GREY	SENSE -
BLACK	INPUT -

## VERSIONS

### Available versions

Codice	Piatto Max (mm)	Max (kg)
SPG7C6 	300x300	7
SPG10C6 	300x300	10
SPG18C6 	400x400	18
SPG36C6 	450x450	36



www.diniargeo.com



“YOUR WORLDWIDE PARTNER FOR WEIGHING,”

DINI ARGEO  
FRANCE sarl  
Nogent-sur-Marne

DINI ARGEO  
GMBH  
Sinsheim - Germany

DINI ARGEO  
UK Ltd  
Taunton - United Kingdom

DINI ARGEO WEIGHING  
INSTRUMENTS Ltd  
Shanghai - China

DINI ARGEO  
WEIGHBRIDGES  
Calto (RO) – Italy



HEAD OFFICE  
Via Della Fisica, 20  
41042 Spezzano di Fiorano Modena - Italy



**Vetek AB**

Hantverksvägen 15 - 76493 Väddö - Sweden

Tel +46176208920 info@vetek.com

SALES AND TECHNICAL ASSISTANCE SERVICE