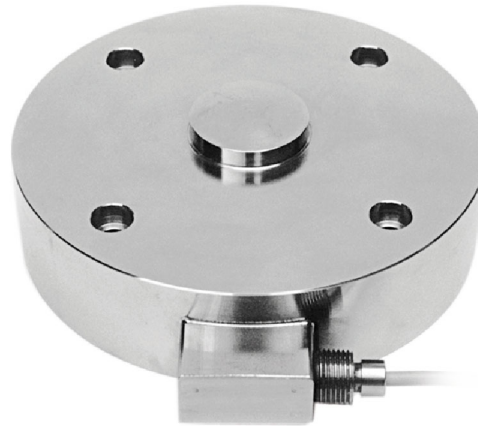




Manufactured according to OIML R60 standards

Capacity from 200000 kg to 750000 kg



- 17-4 PH STAINLESS STEEL
- COMBINED ERROR $\leq \pm 0.10\%$
- PROTECTION CLASS IP68

CAPACITY	kg			EAC	Ex	EAC	NET WEIGHT (kg)	CODE
200000		•	•	•			20	CBLS200000
300000		•	•	•			42	CBLS300000
500000		•	•	•			60	CBLS500000
750000		•	•	•			60	CBLS750000

ON REQUEST

CERTIFICATIONS

Complies with the Eurasian Customs Union standards

CERTIFICATIONS ON REQUEST

Accredia traceable calibration report

ATEX II 1GD (zone 0-1-2-20-21-22)

IECEx (zone 0-1-2-20-21-22)

Complies with the Eurasian Customs Union standards for use in potentially explosive atmospheres

OPTIONS ON REQUEST

DESCRIPTION

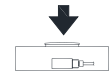
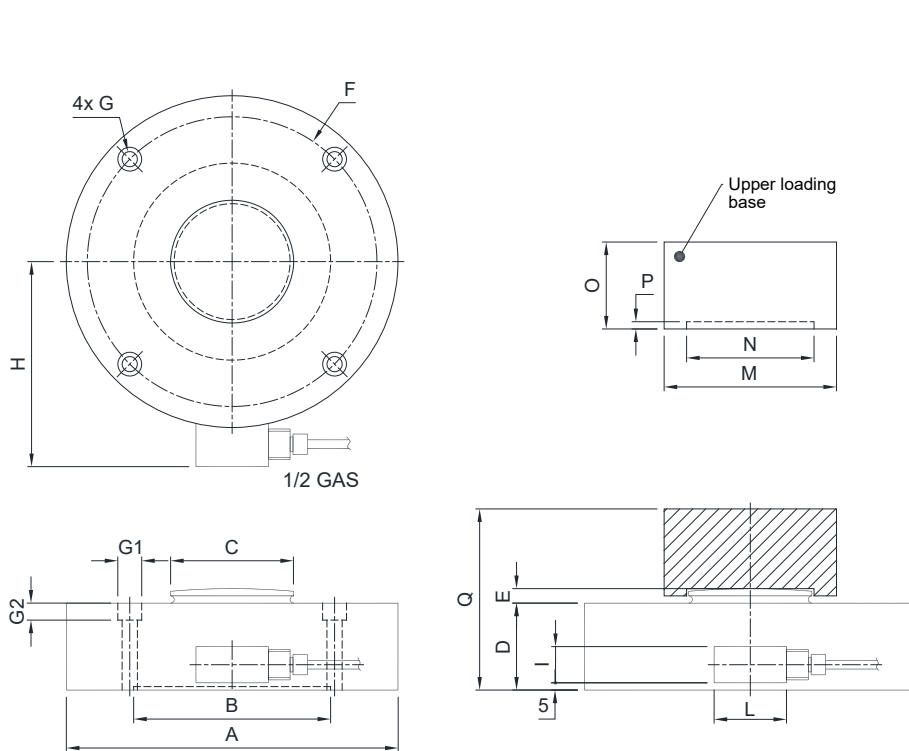


Two redundant strain gauges Wheatstone bridges (350 Ω) with two output cables; for dual safety systems

COMPLEMENTARY ACCESSORIES

DESCRIPTION	CODE
<p>Upper loading base.</p>	<p>Dimensions:</p> <p>Maximum static load:</p>
	<p>200000 kg</p> <p>300000 kg</p> <p>500000 - 750000 kg</p>
	<p>BOTTONE200</p> <p>BOTTONE</p> <p>BOTTONE750</p>

DIMENSIONS (mm)



	200t	300t	500-750t
A	Ø229	Ø299	Ø299
B	Ø136.5	Ø228	Ø230
C	Ø87	Ø155	Ø155
D	60	73	106
E	10	12	14
F	Ø200	Ø260	Ø260
G	Ø10.5	Ø12.5	Ø12.5
G1	Ø16.5	Ø18.5	Ø18.5
G2	10.5	12.5	12.5
H	142±1	180±2	180±2
I	30	25	25
L	60	50	50
weight	20kg	42kg	60kg

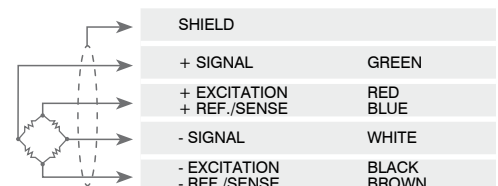
	200t	300t	500-750t
M	Ø119	Ø198	Ø198
N	Ø88	Ø156	Ø158
O	60	60	89
P	5	5	9
Q	125	140	200

TECHNICAL FEATURES

Material	17-4 PH stainless steel		
Nominal load (E max)	200000 - 300000 - 500000 - 750000 kg		
Combined error	≤ ±0.10%		
Protection class	IP68		
Rated output	2 mV/V ±0.1%	Input resistance	700 Ω ±20
Temperature effect on zero	0.005% °C	Output resistance	700 Ω ±5
Temperature effect on span	0.005% °C	Zero balance	±1%
Compensated temperature range	-10 °C / +50 °C	Insulation resistance	>5000 MΩ
Operating temperature range	-20 °C / +70 °C	Safe overload (% of full scale)	150%
Creep at nominal load in 30 minutes	0.03%	Ultimate overload (% of full scale)	300%
Max supply voltage without damage	15 V	Deflection at nominal load	0.4 mm

ELECTRICAL CONNECTIONS

Cable length	10 m
Cable diameter	5 mm
Cores	6 x 0.14 mm ²



The Company reserves the right to make changes to the technical data, drawings and images without notice.