



Modules for electronic weighing

ELECTRONIC PLATFORMS

T and TE SERIES

Installation and operating manual

T_TE_SERIE_14.07_EN

INDEX

IMPORTANT WARNINGS	page 2
1 - INTRODUCTION	page 3
1.1 – TECHNICAL SPECIFICATIONS	page 3
2 - INSTALLATION	page 4
2.1 – INSTALLING THE TCA COLUMN	page 8
2.2 – INSTALLING THE TCB COLUMN	page 9
3 – MAINTENANCE AND REPAIRS	page 10
4 – TRANSPORTING THE PLATFORM	page 10
5 – DRAWING	page 11
5.1 – HOLE AREAS T/TE PLATFORM	page 11
5.2 – T/TE PLATFORM DRAWINGS	page 12
6 – SHIELDED CABLE	page 13
INDICATOR JUNCTION BOX CABLE	page 13
WARRANTY AND AUTHORIZED SERVICE CENTRE.....	page 14



IMPORTANT WARNINGS



Put the platform in a place in which the following conditions are respected:

- Flat, level, stable support surface*
- *Stable and absent of vibrations,*
- Absence of dust or aggressive vapours,*
- *Absence of air currents,*
- *Moderate temperature and humidity (not exposed to direct sunlight or near heat sources).*

Make sure to level the platform by adjusting the feet and checking air bubble level (see INSTALLATION instructions).

Do not weld, perforate or modify the structure without consulting the reseller. If it is damaged or tampered with the warranty conditions will be annulled.

If the place of use is a humid or wet environment, the installation **must** be carried out in such a way so that water stagnation and/or scraps under the structure are **avoided**.

The platform **must** be connected to a weigh indicator. Refer to weigh indicator owner's manual for connection instruction.

Do not step, crush or expose to sunlight the connecting screen cable.

DO NOT INSTALL IN HAZARDOUS ENVIRONMENTS.

(unless specifically made for this use)

Do not use solvents when cleaning.

1 – INTRODUCTION

All weighing modules are built with high quality materials and are calibrated in such a way, which guarantees full reliability and weighing accuracy that lasts in time. The measuring elements are load cells, produced in conformance to the OIML R60 standards.

The T and TE platforms have load cells connected to the indicator with a 6-pin shielded cable, 3 meters of length.

Every weighing module is built and engineered to guarantee a uniform detection of the load on the load cell weighing modules, even in adverse environment conditions.

The electronic weighing platform T and TE series, are suitable for creating weighing systems or small and medium, capacity, piece counter. The weigh capacity goes from 0,6 kg to 600 kg.

The T series platform have a structure made of tubular steel, oven fire painted black, and satined AISI 304 stainless steel loading surface. The measuring element consists of an approved aluminium “single point” load cell according to OIML R60 standards with protection against dust and moisture according to IP65 standards.

The TE series platform have a structure made with tubulars, mechanics, trinkets and satined steel loading surface in AISI304 stainless steel. The measuring element consists of an approved “single point” STAINLESS STEEL load cell according to OIML R60 standards with protection against dust and moisture according to IP68 standards (for the TSNE and TTNE version the protection is IP67).

1.1 - TECHNICAL SPECIFICATIONS

Load cell	off-center direct load
Power supply	15 Vcc
Nominal output (max. load)	2 mV/V \pm 10% (platform related)
Operating temperature range	-10 / + 50 °C

ACCESSORIES

Indicator holder column (integral with platform).

Floor-mounted indicator column.

Various types of conveyor carriages.

Junction box IP67.


2 - INSTALLATION

Refer to **Figure 1**, **Figure 2** and **Figure 3**.

NOTE: The weighing module must be connected to its appropriate weight indicator with the cable coming from the load cell. The indicator, connected to the platforms, can not be calibrated if not powered.

It is the customer's responsibility to prepare and calibrate the indicator.

For any further detail, refer to the technical and operational manual, supplied with the indicator.

- a) Unpack then product. Pick up and remove plate (1).
- b) Remove the locking strips (2).
Keep and reuse the wooden strips, in the event the platform needs to be moved again
- c) Take off the bands which keep fixed the underplate (see fig.2 and fig.3)
- d) **Level the platform** by adjusting the adjustable feet (3) until the bubble (4) is in the centre of the level.
The stability of the platform is very important.
ALL THE CORNERS MUST REST IN A UNIFORM WAY. Carefully check that all feet fully rest on the ground and that the platform, loaded on the corner, is not unstable (if a corner is not resting on the ground its relative foot is easier to turn).
- e) Never remove the red painted bolts and nuts.
- f) Reposition plate (1).
- g) Connect the shielded cable from the load cell (5) to the weigh indicator (refer to the indicator manual).
The cable must be free, so that the resistances are not energised, which could alter the measurement.
- h) You need to ground the metallic structure of the platform using the appropriate plug, which has this symbol , especially if you need to weigh materials that, while handled, can cause **electrical discharges** (dust, plastic materials, etc.). If there are any doubts, consult the reseller.
- i) **Make sure to follow the warnings at page 2.**

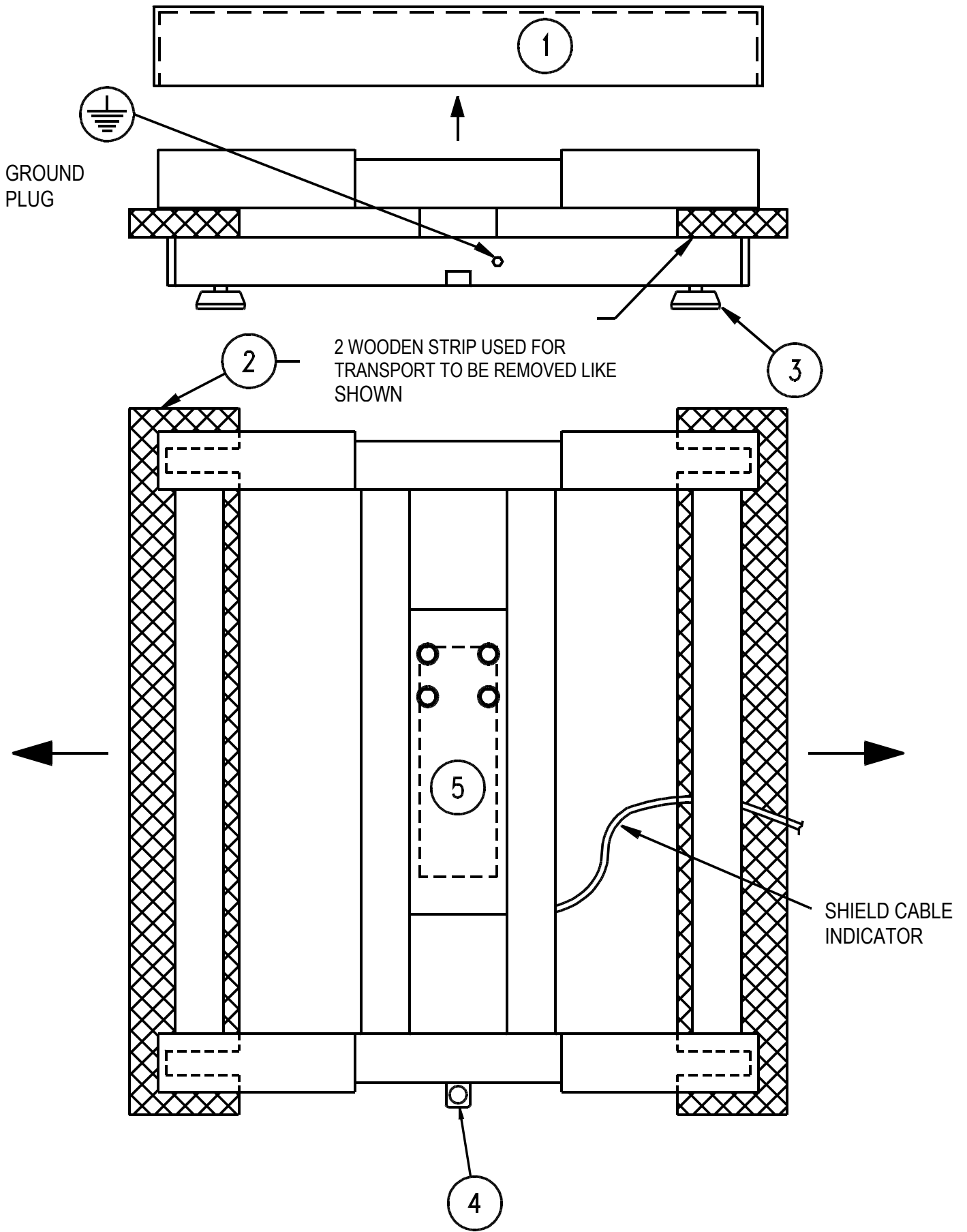


Fig.1

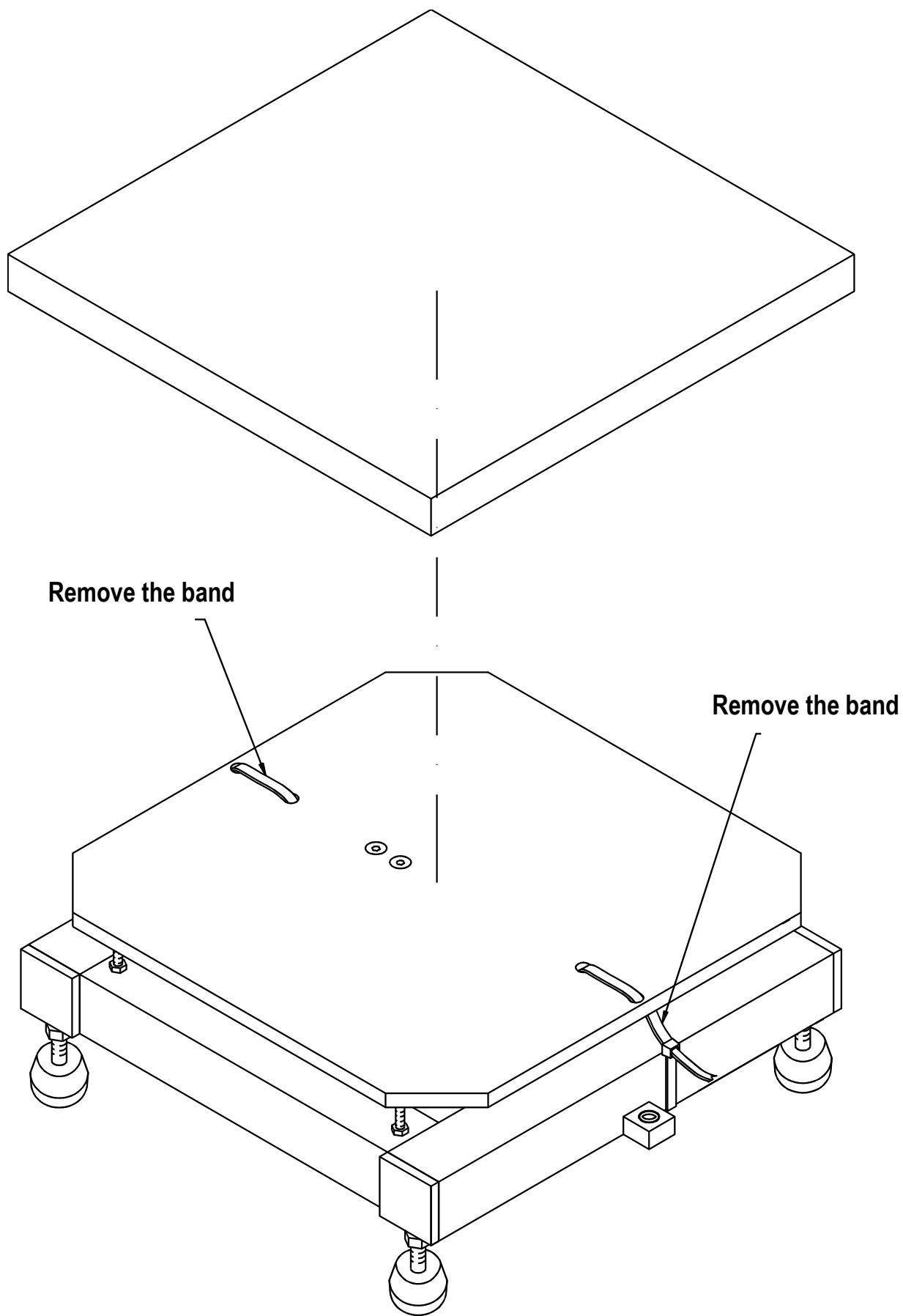


Fig.2

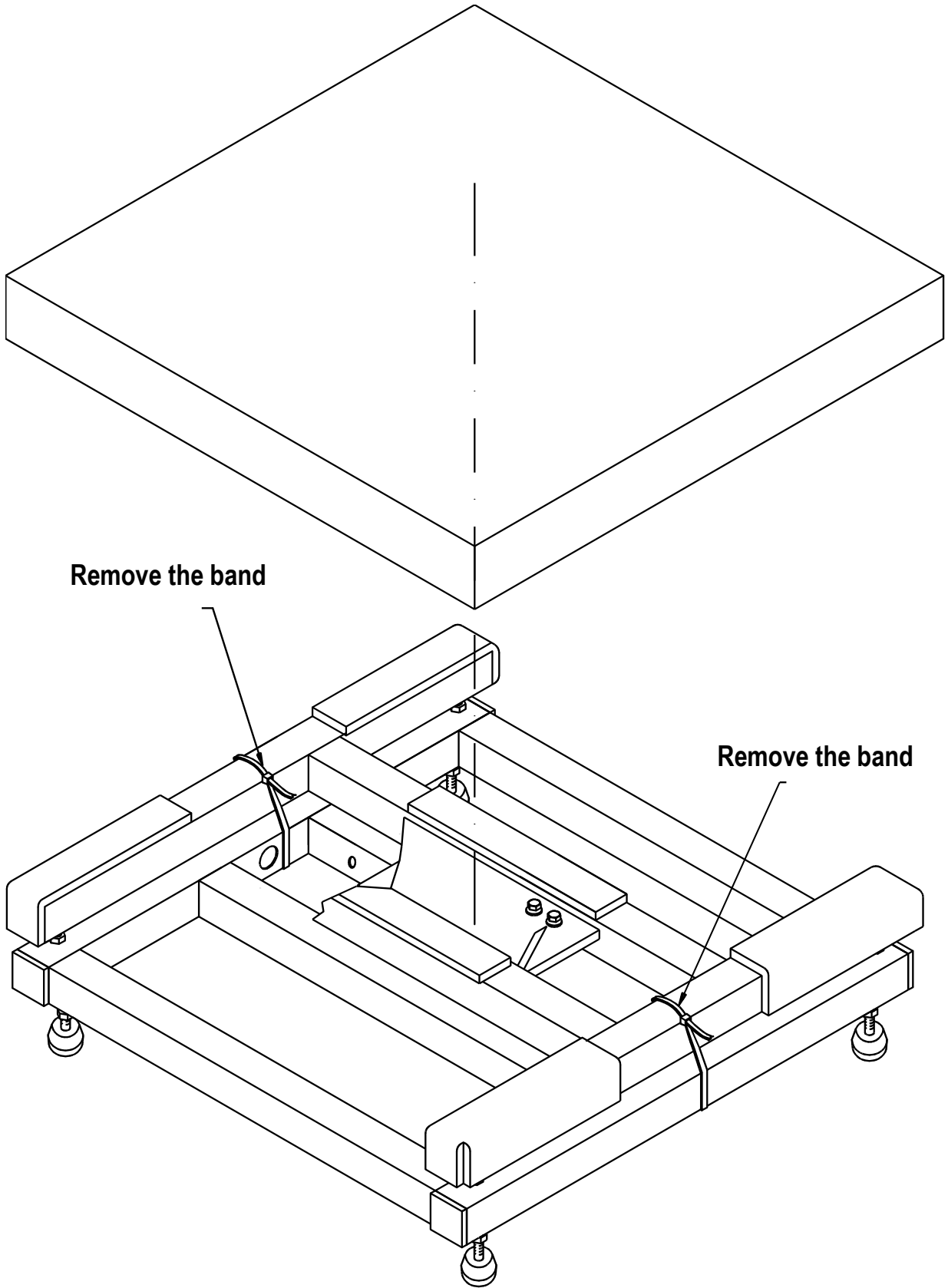
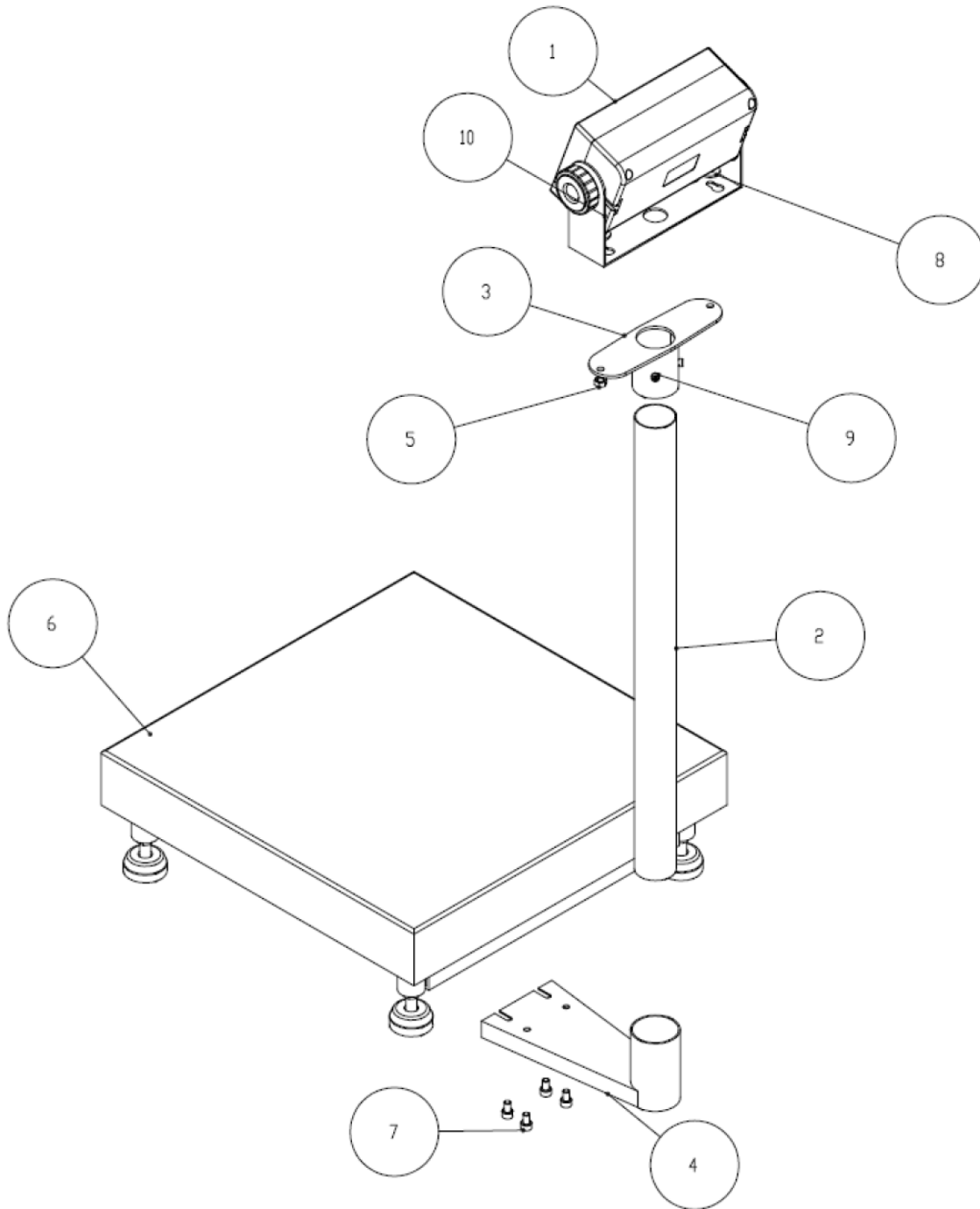


Fig.3

2.1 – INSTALLING THE TCA COLUMN



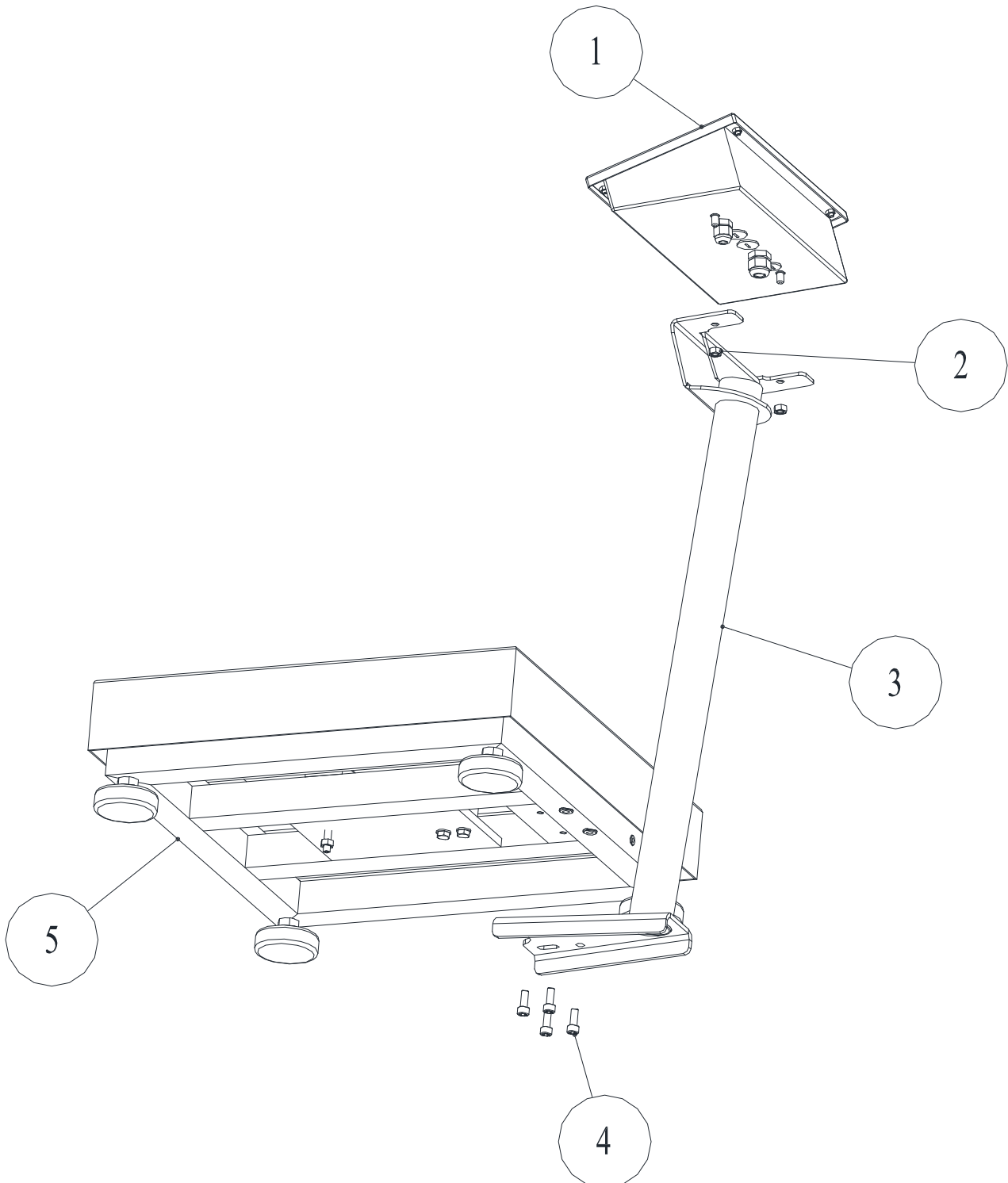
n.	q.ty	description
1	1	DFWL, DFWLI, CPWET e TRI Indicators
2	1	Stainless steel column
3	1	DFWL holder
4	1	Foot
5	2	M6x1 hexagonal nut
6	1	Platform series T or TE
7	4	M6x12 screws
8	2	6.4x18 washer
9	2	M4x6 screw
10	2	M6x12 screw

2.2 – INSTALLING THE TCB COLUMN

Components:

1. DFWLI indicator
2. n.2 M6 exagonal nuts
3. n.1 column TCBI350-1, TCBI500-1 or TCBI700-1
4. n.4 VTC M6X16 inox (screw)
5. Platform

Please note that the M6 hex nuts (part 2) are supplied with the DFWLI. Remove the DFWLI wall brackets and use nuts for connection to the column.



3 - MAINTENANCE AND REPAIRS

To obtain the best performance

- One should keep the platform clean. If dirt and dust accumulate on the platform one should clean it with a damp cloth or with the common cleaning products (**do not use SOLVENTS and ACIDS**)
- Avoid platform collisions because this could cause serious damages..

Breakdowns and overloads

If you think the platform is broken or damaged disconnect it in a permanent way. Do this if the platform:

- appears to be damaged.
- does not work.
- has been loaded more than its tolerable limits (which could happen during the transportation or at time of storage).

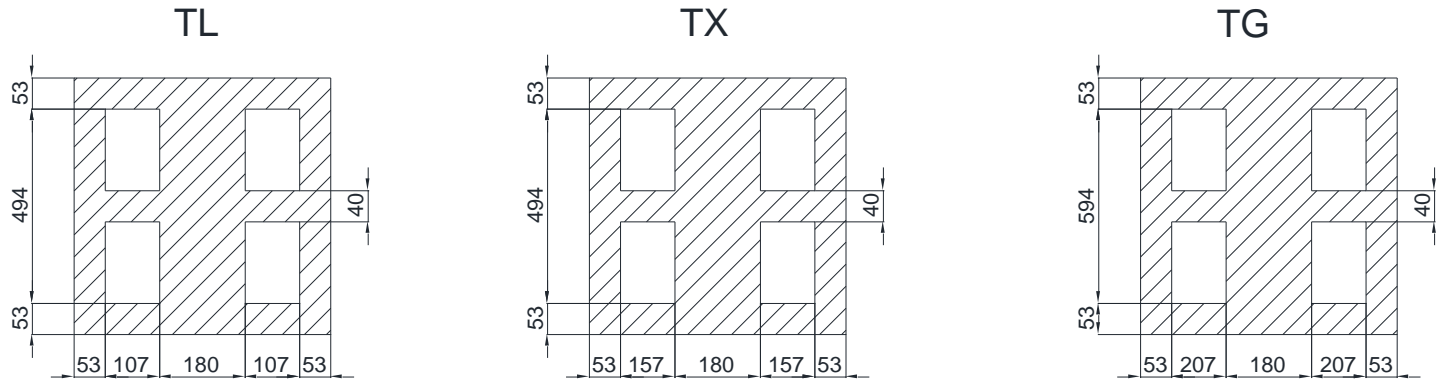
4 – TRANSPORTING THE PLATFORM



To pack the platform follow the procedure below:

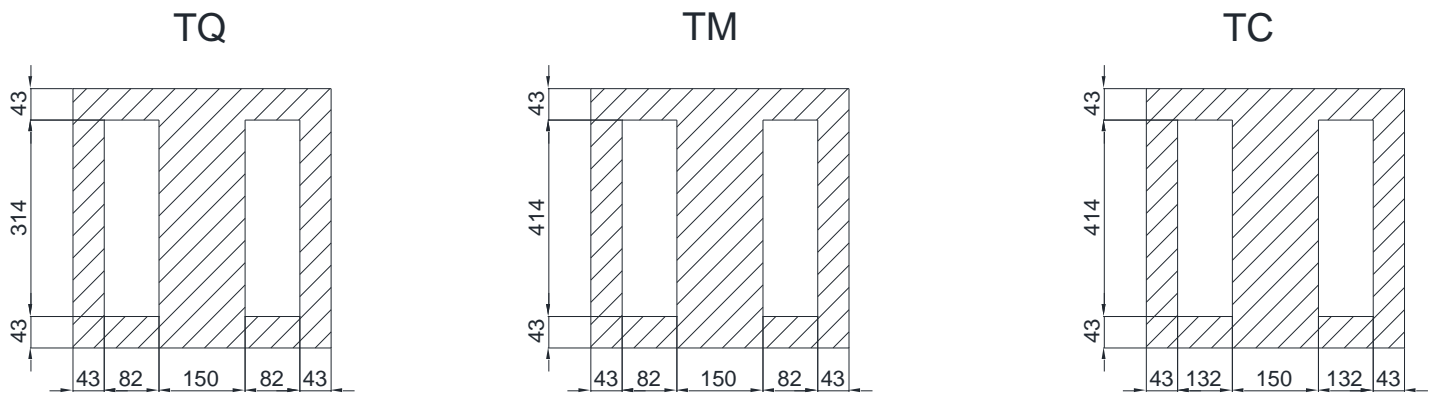
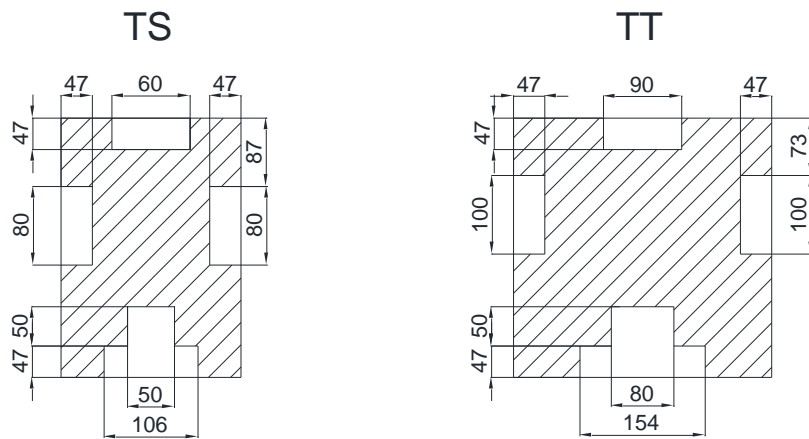
- a) turn off the instrument.
- b) disconnect the platform's instrument.
- c) Put into the locking strips as shown on drawing 3.

5 - DRAWINGS

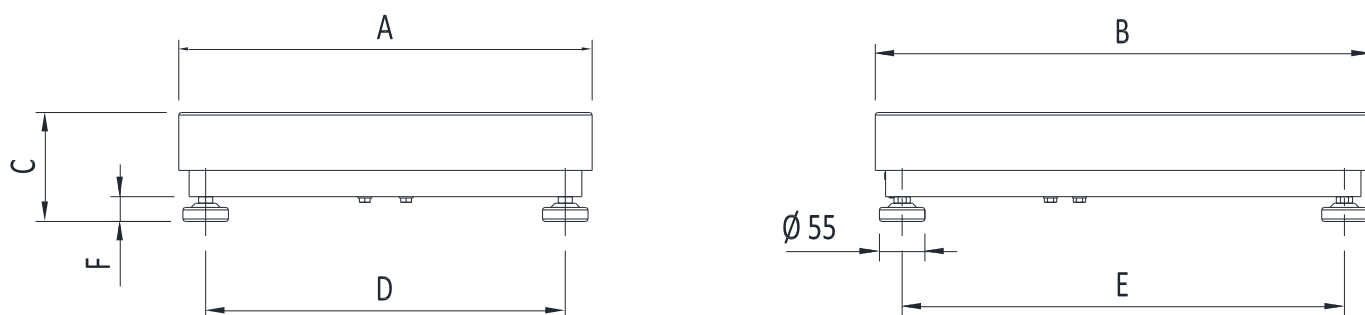
5.1 – HOLE AREAS T/TE PLATFORM



-  Areas where drilling holes is permitted
-  Areas where drilling holes is not permitted



5.2 – T/TE PLATFORM DRAWINGS



MOD.	A	B	C	D	E	F
TS/TSE	230	330	93-108	178	290	30-45
TT/TTE	330	330	93-108	278	290	30-45
TQ/TQE	400	400	110-125	345	345	30-45
TM/TME	400	500	110-125	345	445	30-45
TC/TCE	500	500	110-125	445	445	30-45
TL/TLE	500	600	132-147	435	535	30-45
TX/TXE	600	600	132-147	535	535	30-45
TG/TGE	700	700	145-160	635	635	30-45

N.B. All dimensions can be changed without notice

6 - SHIELDED CABLE

Consult the test certificate attached to the platform, or the identification plate of the platform which is under the plate.

INDICATOR JUNCTION BOX (JBOX) CABLE

EXCITATION +	Brown
SENSE +	Green
EXCITATION -	Grey
SENSE -	White
SIGNAL +	Pink
SIGNAL -	Yellow
EARTH BRAIDING	Orange

WARRANTY

The ONE-YEAR warranty period begins on the day the instrument is delivered and covers spare parts and labour if the INSTRUMENTS are returned with prepaid shipping to the DEALER and if the breakdowns are not caused by the customer (so are not included in the warranty, failures resulting from improper use) or during the transport.

If on site service is requested (or is necessary) the customer will be responsible for all of the service technician's costs: travel time and expenses plus room and board (if any).

The customer pays for the shipping costs (both ways), if the instrument is shipped to DEALER or manufacturer for repair.

The WARRANTY IS VOIDED if breakdowns happen because repairs have been made by unauthorised personnel or due to connections to equipment installed by others or incorrect connection to the power supply.

This warranty DOES NOT PROVIDE for any compensation for damages (indirect or direct) which may cause partial or complete failure of the instruments or systems sold, even if still in the warranty period.

AUTHORIZED SERVICE CENTRE STAMP

