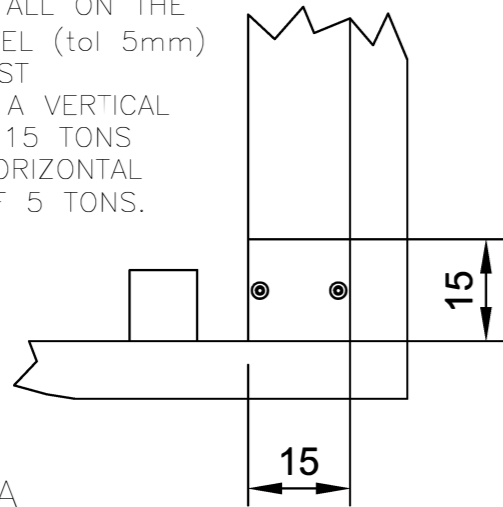


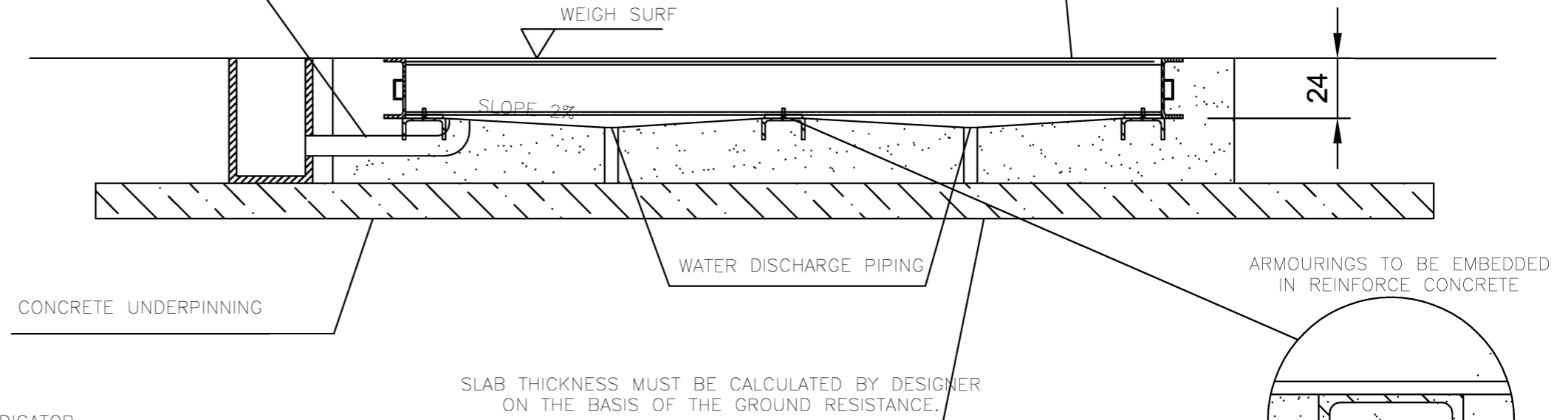
N.B.: PLATES SUPPORT MUST BE ALL ON THE SAME LEVEL (tol 5mm) AND MUST SUPPORT A VERTICAL LOAD OF 15 TONS AND A HORIZONTAL LOAD OF 5 TONS.



DETAIL A

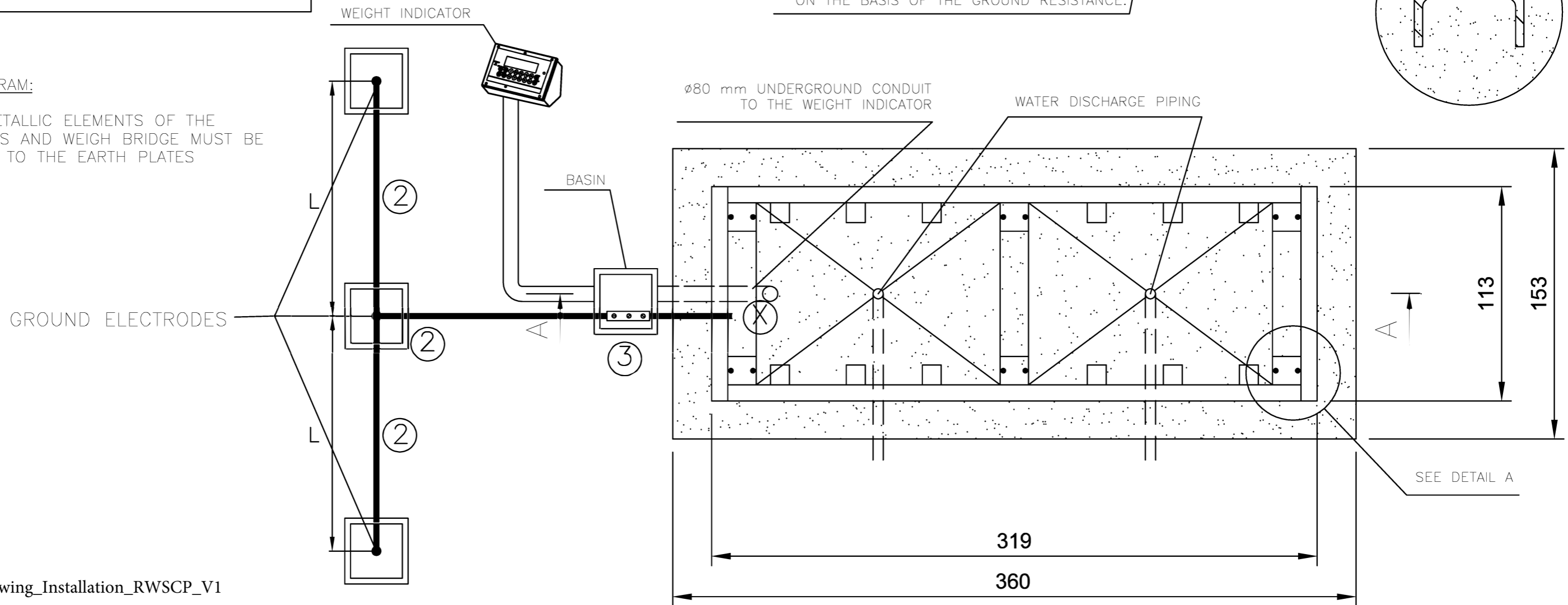
ø80 mm UNDERGROUND CONDUIT TO THE WEIGHT INDICATOR

RWSCC STRUCTURE (RWSSC-1 CODE) FRAME TO BE POSITIONED IN THE GROUND. VERIFY LEVEL BEFORE CASTING THE CONCRETE.



EARTH DIAGRAM:

ALL THE METALLIC ELEMENTS OF THE FOUNDATIONS AND WEIGH BRIDGE MUST BE CONNECTED TO THE EARTH PLATES



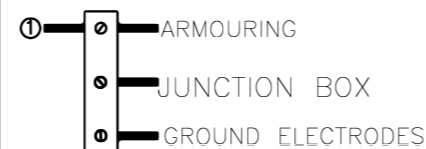
Technical_Drawing_Installation_RWSCP_V1

FOR ANY CHANGE TO THIS SCHEME, PLEASE CONTACT OUR TECHNICAL OFFICE ARE EXCLUDED FROM THE PROVISION: STATIC CALCULATION OF BEDPLATE AND MASONRYWORK; ELECTRIC AND GROUNDING SYSTEM; CATCH BASINS AND CANALIZATIONS.

① UNCOVERED 50mm² SECTION OF COPPER CABLE EMBEDDED IN THE CONCRETE SLAB CONNECTED TO THE ARMOURING. CORRESPONDING TO EACH PLATE HAVE ENOUGH CABLE COME OUT OF THE CONCRETE SLAB, AT THE POINT SHOWN WITH AN (X), SO THAT THERE IS 1 METRE OF CABLE FOR CONNECTION TO THE WEIGH BRIDGE.

② THE 3 GROUND ELECTRODES MUST BE CONNECTED WITH A 100mm² SECTION OF COPPER CABLE. THE 3 GROUND ELECTRODES MUST BE PLACED AT LEAST 10m FROM WEIGHBRIDGE.

③ EQUIPOTENTIAL TERMINAL STRIP:



GROUND ELECTRODES LONG ENOUGH IN ORDER TO HAVE AN OVERALL RESISTANCE OF THE GROUNDING SYSTEM OF LESS THAN 1 OHM. GENERALLY THESE ARE INSTALLED WITH A (L) LENGTH EQUAL TO 3 TIMES THEIR DEPTH (P).

		QUOTE SENZA TOLL. UNI EN 22768-1														
		DIMENSIONE	0-3	3-6	6-30	30-120	120-400	400-1000	1000-2000	2000-4000	>4000	0-10	10-50	50-120	>120	
		GROSS.	+0.2	+0.3	+0.5	+0.8	+1.2	+2	+3	+4	+5	+1.30"	+1.7"	+1"	+30"	
		MEDIO	+0.1	+0.1	+0.2	+0.3	+0.5	+0.8	+1.2	+2	+3	+1"	+30"	+30"	+15"	
		PRECISO	+0.05	+0.05	+0.1	+0.15	+0.2	+0.3	+0.5	+1	+1	+30"	+30"	+20"	+10"	
		MATERIALE MATERIAL	-													
		TRATTAMENTI TREATMENTS	-													
		DATA	-													
		MODIFICA	-													
		DIS.	DATA-DATE		DISEGN.-DRAWN		APPROV.-APPROVED		SCALA-SCALE		FOGLIO-SHEET					
		REV.	27/08/14		F.I.		A.B.		1:1		-					
		DIS.	DESCRIZIONE DESCRIPTION		RWS INSTALLATION											
		DIS.	NOTE NOTES		DIMENSIONS IN cm WHERE IS NOT SPECIFIED											
		DIS.	DINI ARGO		Bilance Sistemi per pesare											
		DIS.	CODICE CAD CAD CODE		1431F7 R1											
		DIS.	CODICE CODE		-											