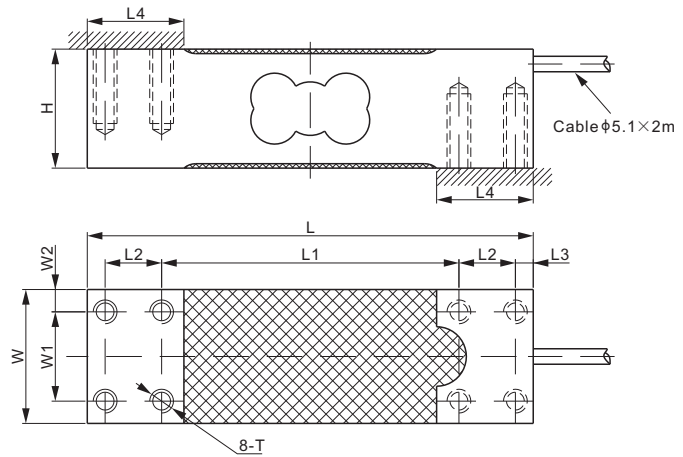


108LA

Aluminum



DIMENSIONS

RATED CAPACITY	H	L	L1	L2	L3	L4	W	W1	W2	T
kg/mm										
60...300	40.0	150.0	100.0	19.0	6.0	32.5	45.0	30.0	7.5	M8 Depth25
lb/inches (conversion of above dimensions)										
132.3...661.4	1.57	5.91	3.94	0.75	0.24	1.28	1.77	1.18	0.30	M8 Depth0.98

SPECIFICATIONS

Full Scale Output	2.0 ± 10% mV/V	Recommended Excitation	10V (15V Maximum)
Zero Balance	± 0.02 mV/V	Reference Max. Platform Size	500 × 500 mm
Non-linearity	< ± 0.017%	Insulation Resistance	>2 [50V DC] GΩ
Repeatability	< ± 0.017%	Compensated Temperature Range	-10°C to 40°C / 14°F to 104°F
Hysteresis Error	< ± 0.017%	Safe Overload	150% of full scale
Creep in 30 min.	< ± 0.023%	Breaking Overload	300% of full scale
Input Resistance	415 Ω ± 15	Seal Type / IP Rating	Environmentally Sealed / IP66
Output Resistance	350 Ω ± 3	Cable Color Code	Exc+ Red Exc- Black Sig+ Green Sig- White Shield Bare
Element Material	Aluminum		

PART NUMBER

Rated Capacity	Part No.	Shipping Weight (kg) Approx.
60kg.....	108LA-60kg.....	0.7
100kg.....	108LA-100kg.....	0.7
150kg.....	108LA-150kg.....	0.7
200kg.....	108LA-200kg.....	0.7
300kg.....	108LA-300kg.....	0.7

OIML C3, Y=4 300

SINGLE POINTS