

## SBK\_C6

"SBK C6" SERIES IP68 STAINLESS STEEL SHEAR BEAM LOAD CELLS, 350 Ohm, C6 CLASS



Stainless steel shear beam load cells suitable for building, for example, CE-M approved scales with 4 load cells or for weighing tanks and hoppers with the relevant accessories.

---

**CAPACITIES (kg):** 500, 1000, 2000.

---

**OIML R60. C6** precision class.

---

**Stainless steel. IP68** protection.

---

Working in cooperation with:

**VETEK AB**

Hantverksvägen 15 - 76493 Vaddö - Sweden  
Tel +46176208920 info@vetek.com

The best solution  
for advanced industrial  
applications

## MAIN FEATURES

- C6 PRECISION CLASS
- STAINLESS STEEL CONSTRUCTION
- IP68 PROTECTION
- MAX. CAPACITIES FROM 500 TO 2000 kg
- SHIELDED CONNECTION CABLE
- OIML CERTIFICATE AVAILABLE UPON REQUEST
- TEST CERTIFICATE AVAILABLE UPON REQUEST

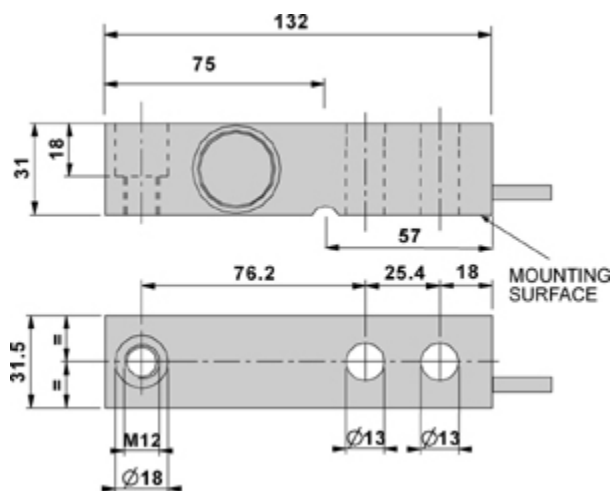
## TECHNICAL FEATURES

- Minimum load cell verification interval:  $V_{min} = E_{Max} / 15.000$
- Maximum number of verification intervals:  $nLC = 6000$
- Combined error: 0,008% of Full Scale Output (F.S.)
- Full Scale Output: 2mV/V
- Temperature effect on zero: 0,0009% /°C
- Temperature effect on full scale output: 0,0007% /°C
- Compensated Temperature Range: -10°C/+40°C
- Operating Temperature Range: -20°C/+60°C
- Creep error after 30 minutes: 0,012% F.S.
- Maximum tolerated excitation voltage: 15 VDC
- Input Resistance:  $385 \pm 20$  Ohm
- Output Resistance:  $350 \pm 5$  Ohm
- Insulation Resistance: >5000 MOhm
- Safe Overload: 150% F.S.
- Ultimate Overload: 200% F.S.
- 6-wire shielded cable, 5m long.

## ATEX VERSION

- The CCATEX certificate makes the load cell suitable for use in hazardous areas with protection methods according to:  
ATEX II 1G Ex ia IIC T6 (Ta -20÷+40°C) TX (Ta -20÷+65°C) Ga  
ATEX II 1D Ex ta IIIC TX°C (Ta -20÷+40°C) TX°C (Ta -20÷+65°C) Da IP65.  
The certificate includes the manual and the ATEX CE conformity declaration (available in EN, DE, FR, and IT).
- **IMPORTANT:** the certificate refers to the single load cell. For systems with more load cells, it is necessary to order one certificate for each load cell.

## DETAIL 1



Dimensions (mm)

| Wiring Code   |                 |
|---------------|-----------------|
| <i>Colour</i> | <i>Function</i> |
| --            | SHIELD          |
| YELLOW        | OUTPUT +        |
| GREY          | SENSE +         |
| BROWN         | INPUT +         |
| WHITE         | OUTPUT -        |
| GREEN         | INPUT -         |
| PINK          | SENSE -         |

## VERSIONS

Available versions

| Codice    | Max (kg) |
|-----------|----------|
| SBK500C6  | 500      |
| SBK1000C6 | 1000     |
| SBK2000C6 | 2000     |



www.diniargeo.com



“YOUR WORLDWIDE PARTNER FOR WEIGHING,”

**DINI AR GEO**  
**FRANCE sarl**  
Nogent-sur-Marne

**DINI AR GEO**  
**GMBH**  
Sinsheim - Germany

**DINI AR GEO**  
**UK Ltd**  
Taunton - United Kingdom

**DINI AR GEO WEIGHING**  
**INSTRUMENTS Ltd**  
Shanghai - China

**DINI AR GEO**  
**WEIGHBRIDGES**  
Calto (RO) – Italy



**HEAD OFFICE**  
Via Della Fisica, 20  
41042 Spezzano di Fiorano Modena - Italy



### **VETEK AB**

HANTVERKSVÄGEN 15 - 76493 Väddö - Sweden

Tel +46176208920 info@vetek.com

SALES AND TECHNICAL ASSISTANCE SERVICE