

ANTI DRAFT SHIELD

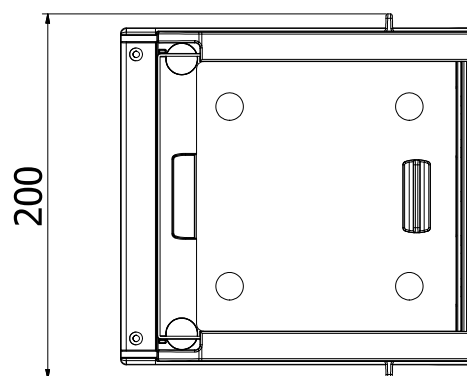
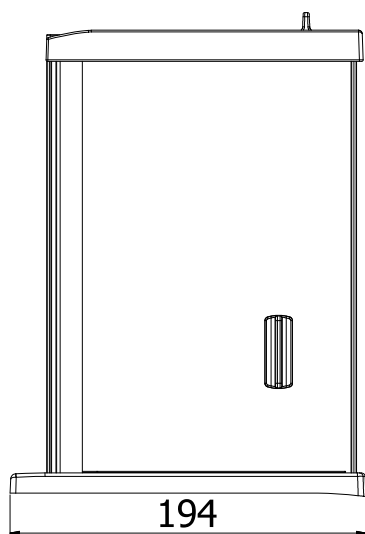
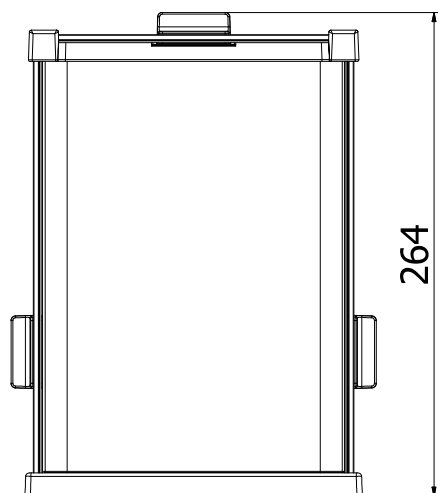
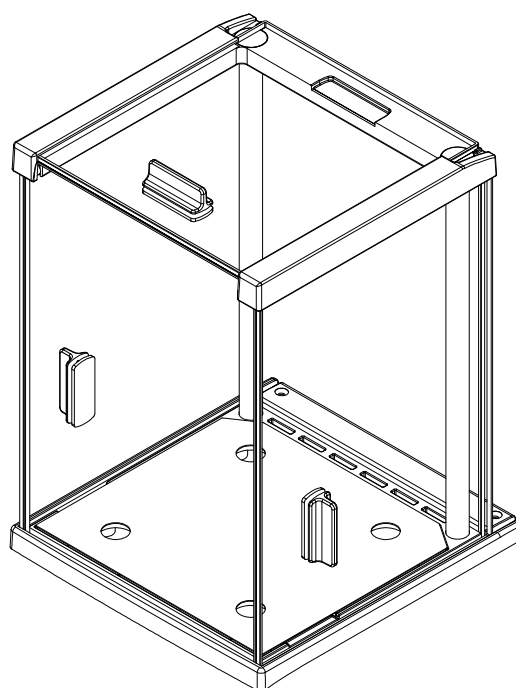


The anti draft shield is designed for protecting the weighed objects, especially in case of wind or breeze presence at the workstation (in the ambient environment).

Protecting the weighed objects against wind considerably improves measurement reliability. It eliminates the vibrations of weighed objects resulting from influence of ambient conditions.

The anti draft shield is an additional equipment to balance equipped with weighing pan size 128×128mm.

The anti draft shield is a factory installed option available with new balances only.



VETEK WEIGHING AB

Hantverkarsvägen 15 • 76493 VÄDDÖ • SWEDEN • TEL +46 176 208920 • info@vetek.com • www.vetek.com