



More information on the website
radwag.com/en/info,w1,1EM

SAL/STONE/H Stainless Steel Antivibration Table



SAL/STONE/H Stainless Steel Antivibration Table

Datasheet

	SAL/STONE/H Stainless Steel Antivibration Table
Construction	
Construction	stainless steel
Load-bearing capacity	150 kg
Physical parameters	
Packaging dimensions	1000×650×800 mm
Net weight	125 kg (table 25 + stone 190)
Gross weight	~225 kg
Length	1000 mm
Width	650 mm
Height	815 kg



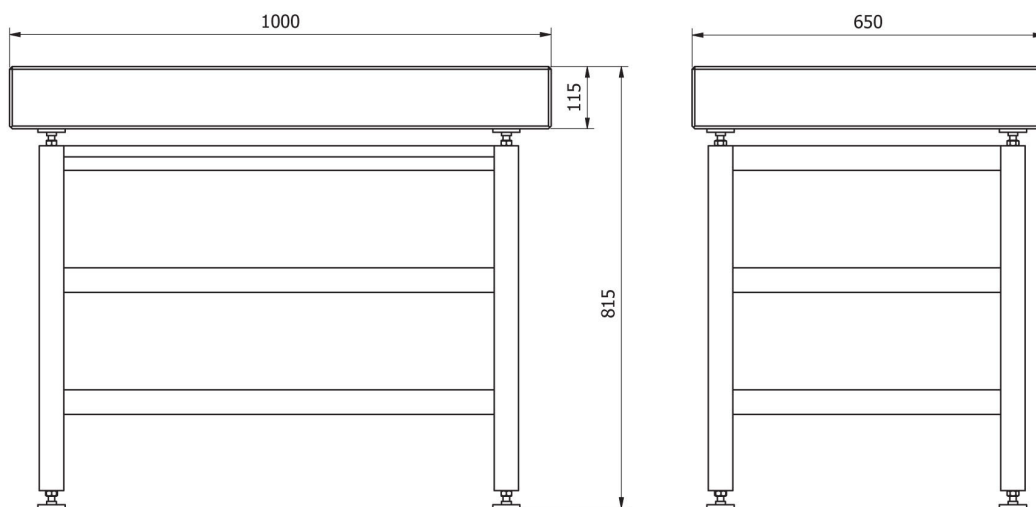
Compatible with

H315 HR Waterproof Platform Scale
 MUYA Modules
 MAS1 Modules
 XA 5.M.A.P Microbalance
 Microbalance for Pipette Calibration MYA 5Y.P
 PM 5Y Precision Balance
 Microbalance for Filters MYA 5Y.F
 AS X2 PLUS Analytical Balance
 XA 5.M Microbalance
 WLC Precision Balance
 MPS Modules
 PM 4Y Precision Balance
 PM C32 Precision Balance

C315 Platform scale
 MAS Modules
 XA 5Y Analytical Balance
 UYA 5Y Ultra-Microbalance
 WLY Precision Balance
 MYA 5Y Microbalance
 WPY Multifunctional Scale
 PMV PLUS Moisture Analyzer
 AS R2 PLUS Analytical Balance
 UYA.4Y.KO Manual Mass Comparator
 Ultra-Microbalance for Filters UYA 5Y.F
 WLC C/2 Precision Balance
 XA 5Y.M.S Microbalance

Device dimensions

SAL/STONE/H Stainless Steel Antivibration Table



SAL/STONE