

RCA

"RCA" SERIES COLUMN LOAD CELLS



Analogue version of compression load cells, 4000 divisions, ideal for CE-M approved weighbridges, tanks, silos, etc. STAINLESS STEEL execution, with IP68 protection, fitted with "anti rat" shielded cable.

CAPACITIES (kg): 30000.

Stainless steel. IP68 protection. C4 precision class.

Working in cooperation with:

Vetek AB

Hantverksvägen 15 - 76493 Våddö, Sweden
Tel +46176208920 info@vetek.com

The best solution
for advanced industrial
applications

MAIN FEATURES

- C4 PRECISION CLASS.
- MADE IN STAINLESS STEEL.
- IP68 PROTECTION.
- 30.000 kg CAPACITY.
- "ANTI RAT" 20 m SHIELDED CABLE.
- TEST CERTIFICATE AVAILABLE UPON REQUEST.

TECHNICAL FEATURES

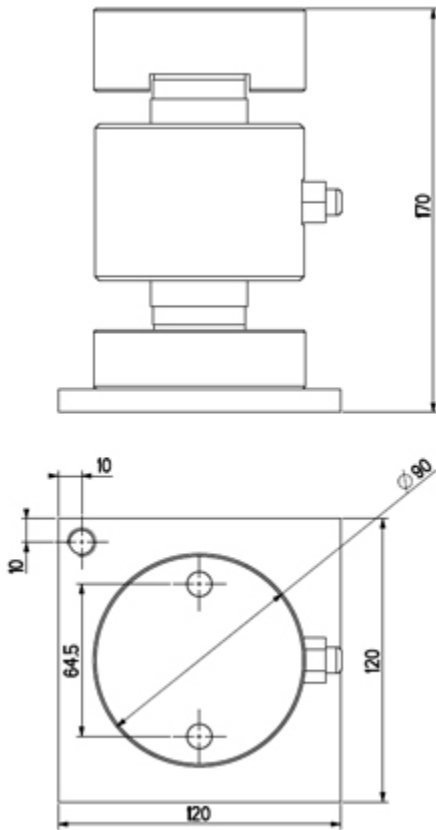
- Full Scale Output: 2mV/V +/- 0,1%
- Combined error of Full Scale Output: $\pm 0,017\%$
- Operating temperature range: -20°C/+60°C
- Input resistance: 815 \pm 20 Ohm
- Output resistance: 700 \pm 5 Ohm
- Safe overload: 150% F.S.
- 4-pole armoured cable.

ATEX Version

- The CCATEX certificate makes the load cell suitable for use in hazardous areas with protection methods according to:
ATEX II 1G Ex ia IIC T6 (Ta -20÷+40°C) TX (Ta -20÷+65°C) Ga
ATEX II 1D Ex ta IIIC TX°C (Ta -20÷+40°C) TX°C (Ta -20÷+65°C) Da IP65.
The certificate includes the manual and the ATEX CE conformity declaration (available in EN, DE, FR, and IT).
- IMPORTANT: the certificate refers to the single load cell. For systems with more load cells, it is necessary to order one certificate for each load cell.

<u>Wiring Code</u>	
<u>Colour</u>	<u>Function</u>
WHITE	OUTPUT +
RED	INPUT +
YELLOW	OUTPUT -
BLUE	INPUT -

DETAIL 1



VERSIONS

Available Versions

Code	Max (kg)
RCA30C4	30000



www.diniargeo.com



“YOUR WORLDWIDE PARTNER FOR WEIGHING,”

DINI ARGEO
FRANCE sarl
Nogent-sur-Marne

DINI ARGEO
GMBH
Sinsheim - Germany

DINI ARGEO
UK Ltd
Taunton - United Kingdom

DINI ARGEO WEIGHING
INSTRUMENTS Ltd
Shanghai - China

DINI ARGEO
WEIGHBRIDGES
Calto (RO) – Italy



HEAD OFFICE
Via Della Fisica, 20
41042 Spezzano di Fiorano Modena - Italy



Vetek AB

Hantverksvägen 15 - 76493 Väddö, Sweden

Tel +46176208920 info@vetek.com

SALES AND TECHNICAL ASSISTANCE SERVICE