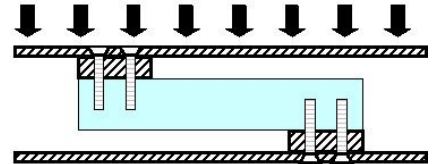
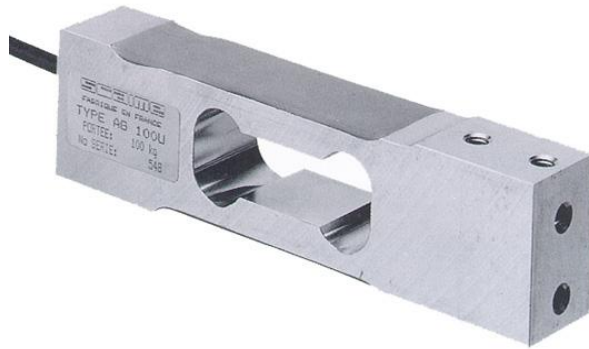


**AG Loadcell Off centre 5 - 100 kg. Aluminium.**

- Low profile
- High accuracy
- Low price

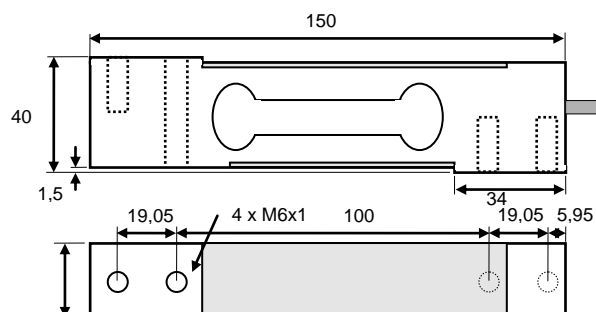


The Loadcell AG is a low profile off centre Loadcell. It is designed for bench, counting weighing platforms, etc. Low mounting height makes the mounting easy. The Loadcells are constructed in aluminium. Recommended maximum platform size is 400 x 400 mm.

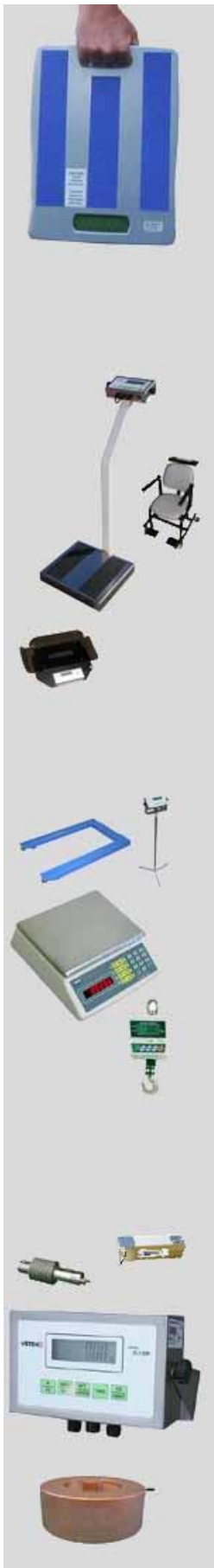
Capacity: 5 / 10 / 15 / 20 / 30 / 50 / 75 and 100 kg (option 1 kg, 1500 divisions)

**SPECIFICATIONS**

Rated output	2 ±10% mV/V
Temp. Effect Output	<±12 ppm / °C
Temp. Effect Zero	<±28 ppm / °C
Combined Error	<±0,017 %
Comp. Temperature	-10 to +40 °C
Operating Temperature	-20 to +60 °C
Input Impedance	410 ±15 ohms
Output Impedance	350 ±5 ohms
Rec. Excitation	10 (Max 15) VDC
Safe Overload	150 %
Ultimative Overload	200 %
Cable Length	3 m
Type Approvals	OIML R60 C3



Wiring: Brown +Input, Green -Input, Yellow +Output, White -Output


**Vetek AB**

Box 79, Industrivägen 3  
760 40 Vaddo, Sweden  
Datasheet AG Rev02.2009

Tel +46-176 208 920  
Fax +46-176 208 929

[www.vetek.com](http://www.vetek.com)  
e-mail [info@vetek.com](mailto:info@vetek.com)