

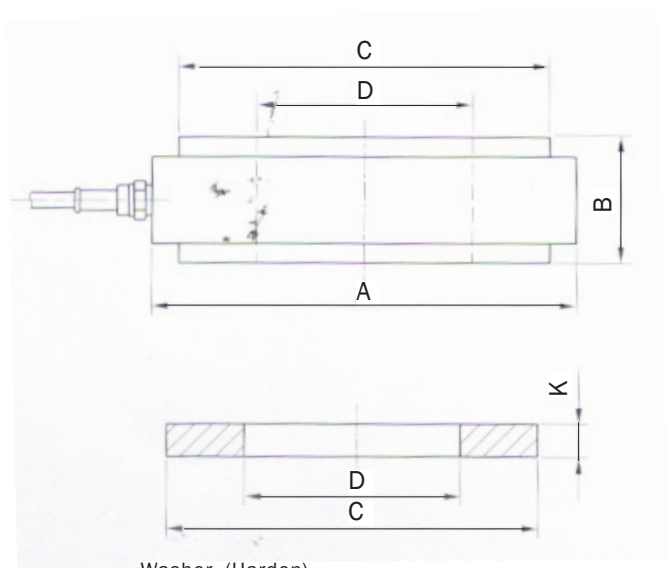


KGY-8 STAINLESS STEEL LOAD CELL

Thru hole load cell 12 ton incl. 2 pcs hardened washer

SPECIFICATIONS

| | |
|-------------------------------|--------------------------|
| Rated Output (mV/V) | 1-2 |
| Non-Linearity | ± 2 % F.S. |
| Hysteresis | ± 2 % F.S. |
| Repeatability | ± 0.50 % F.S. |
| Creep (30 mins.) | ± 0.02 % F.S. |
| Zero Balance | ± 1.00 % F.S. |
| Temperature Effect on Zero | ±0.20 % F.S./10°C |
| Temperature Effect on Output | ±0.20 % F.S./10°C |
| Input Resistance (Ω) | 380 ± 10 |
| Output Resistance (Ω) | 380 ± 3 |
| Insulation Resistance | ≥ 5000M Ω |
| Excitation Voltage | 10V (DC/(AC) |
| Compensated Temperature Range | -10 °C ~ +50 °C |
| Operating Temperature Range | -20 °C ~ +60 °C |
| Safe Overload | 150% F.S. |
| Cable | ∅ 4.0 x 3m ∅ 5.4 x 5m |



Washer (Harden)

Shim load cell, stainless steel, hollow structure, very low profile, easy to install, good interchangeability. Suitable for various bolt, axes, tester and force testing

DIMENSIONS

| CAPACITY | SIZE (mm) | | | | |
|----------|-----------|------|------|------|-----|
| | t | A | B | C | D |
| 6.0 | 24.0 | 12.0 | 17.8 | 10.3 | 2.0 |
| 8.0 | 28.0 | 15.0 | 22.5 | 12.3 | 2.5 |
| 12 | 32.0 | 15.0 | 28.0 | 16.3 | 2.5 |
| 16 | 46.0 | 15.0 | 38.0 | 20.3 | 3.0 |
| 35 | 54.0 | 22.0 | 48.0 | 24.5 | 3.0 |
| 50 | 65.0 | 27.0 | 60.0 | 30.8 | 3.0 |
| 75 | 79.0 | 27.0 | 64.0 | 37.0 | 4.0 |

CABLE COLOR CODE:

| | |
|--------|-------------|
| INPUT | RED (+) |
| INPUT | BLACK (-) |
| OUTPUT | GREEN (+) |
| OUTPUT | WHITE (-) |